

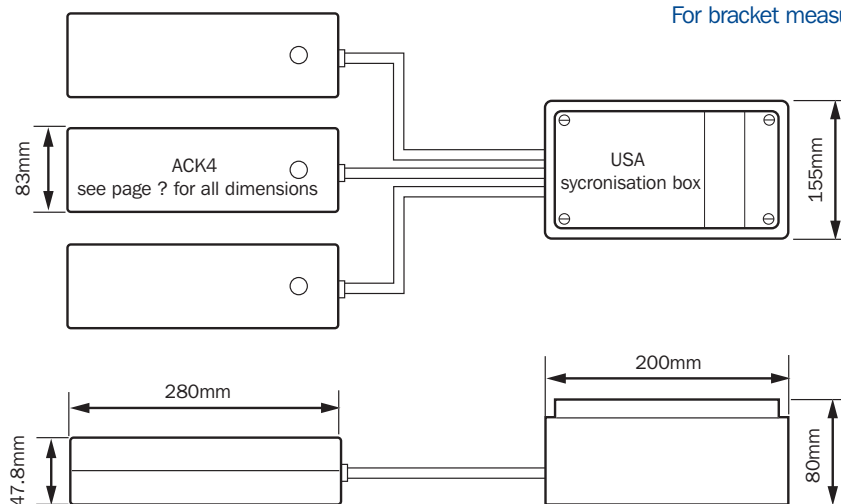
USA2/3 – ACK4

CHAIN ACTUATOR

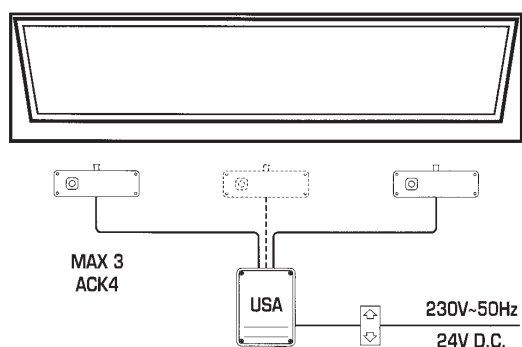


DIMENSIONS

For bracket measurements see ACK4 p55



INSTALLATION LAYOUT



230v**24v****600N
800N****60kg
80kg****100–400_{mm}**

USA2/3 – ACK4

TECHNICAL SPECIFICATIONS

	USA2/3-ACK4 230v	USA2/3-ACK4 24v
Voltage Supply	230v	24v
Thrust Force	600N/800N	600N/800N
Traction Force	400N/600N	600N/800N
Stroke	100 - 400mm adjustable	100 - 400mm adjustable
Absorbed Current	0.64/0.96 amps	4.2/6.3 amps
Time Rating	S2 2mins	S2 3mins
Limit Stop	electronic	electronic
Safety Stop	electronic	electronic
Wiring	3 core	2 core
Speed	~ 28mm/s	~ 18mm/s
Double Insulated	yes	no
Protection Class	IP55	IP55
Parallel Connection Option	yes	yes
Weight	3.8kg, 5.7kg	3.8kg, 5.7kg
Colours Available	white / black / silver	white / black / silver

PRODUCT SUMMARY

- The electronic control of the chain allows seven stroke end positions. It is easily adjustable at any moment by acting on the width adjusting screw, situated on both sides of the actuator.
- The aesthetic design makes the actuator suitable for most locations.
- The electric parts are double insulated (therefore earth wire is not necessary).
- On the chain end (double-linked and made of STAINLESS steel) it is possible to effect a 10mm adjustment. The maximum available stroke is 400mm.
- Comes with 8 metre cable option
- The actuator is **CE** marked and complies with the CEE EN 60335-1, 89/336 CEE (electromagnetic compatibility) regulations.

PRODUCT CODES

PRODUCT CODE	PRODUCT DESCRIPTION
AT-USA2-230	ACK4-USA2 230v
AT-USA2-24	ACK4-USA2 24v
AT-USA3-230	ACK4-USA3 230v
AT-USA3-24	ACK4-USA3 24v
AT-USA2-230-8M	ACK4-USA2 230v with 8 metre cable
AT-USA2-24-8M	ACK4-USA2 24v with 8 metre cable

BRACKET CODE	BRACKET DESCRIPTION
BRAT-L	ACK4 long bracket
BRAT-LS	ACK4 large swivel bracket
BRAT-S	ACK4 small swivel brackets
BRAT-U	ACK4 'u' shaped brackets