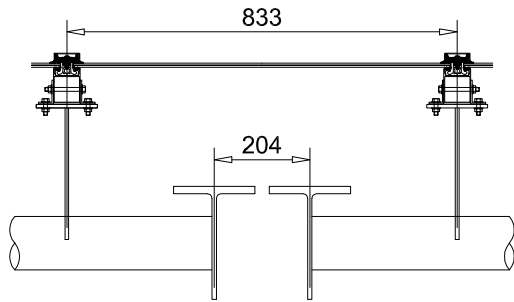
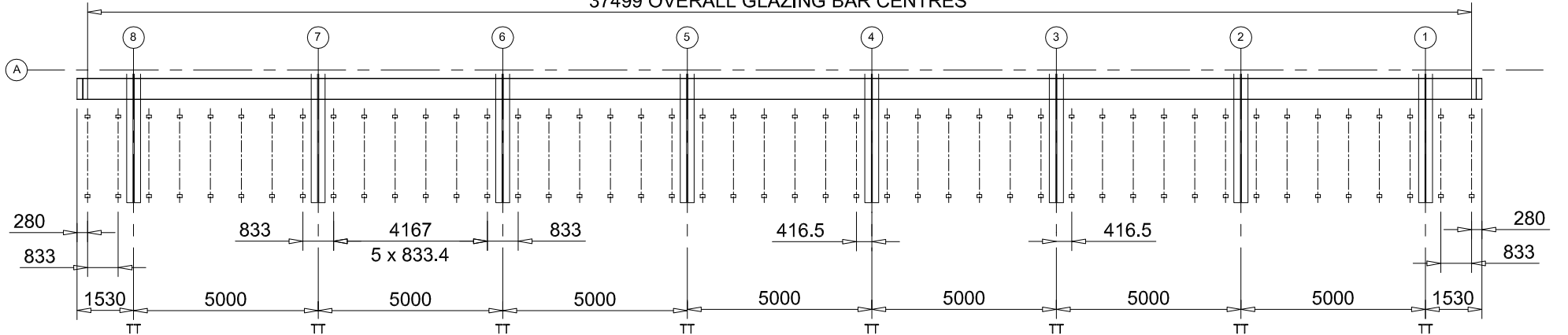


37499 OVERALL GLAZING BAR CENTRES



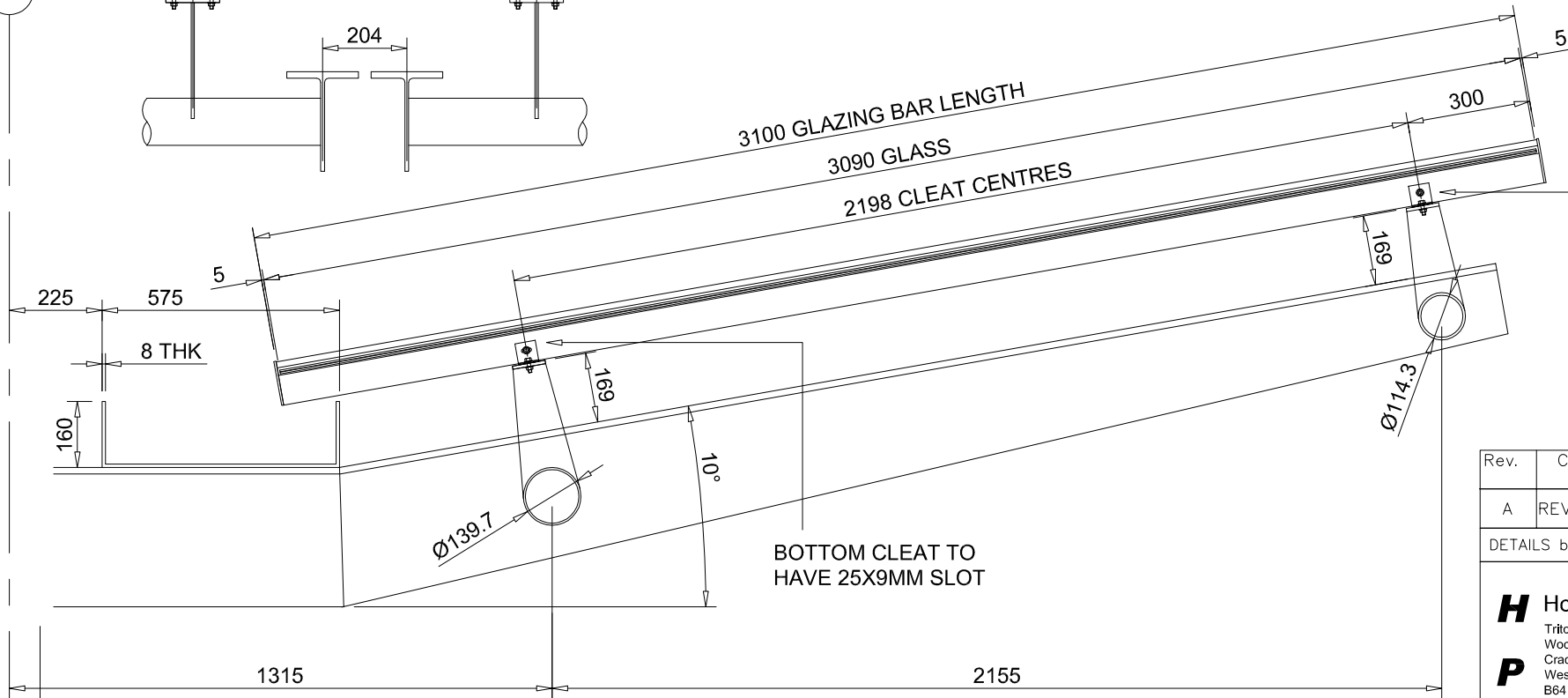
A

3100 GLAZING BAR LENGTH

3090 GLASS

2198 CLEAT CENTRES

TOP CLEAT TO DEAD FIX GLAZING BAR WITH 9MM DIA HOLES



BOTTOM CLEAT TO HAVE 25X9MM SLOT

Rev.	Comments	Date
A	REVISED AS COMMENTS	16/10

DETAILS by WWD

**H** Howells Patent Glazing

Triton Works  
Woods Lane  
Cradley Heath  
West Midlands  
B64 7AS

**P**

Tel :- 01384 820060

Fax :- 01384 820061

e-mail :-

enquiries@howellsglazing.co.uk

**G**

Contract No.	C4562	Drawing No.	101 A
--------------	-------	-------------	-------





