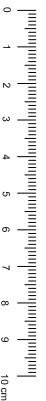
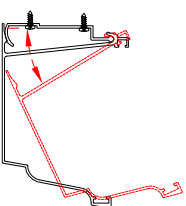
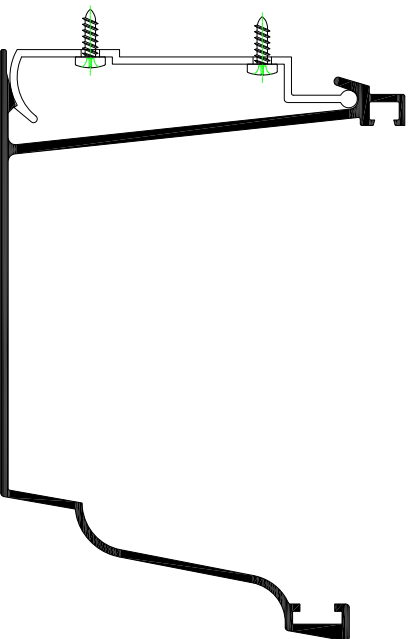
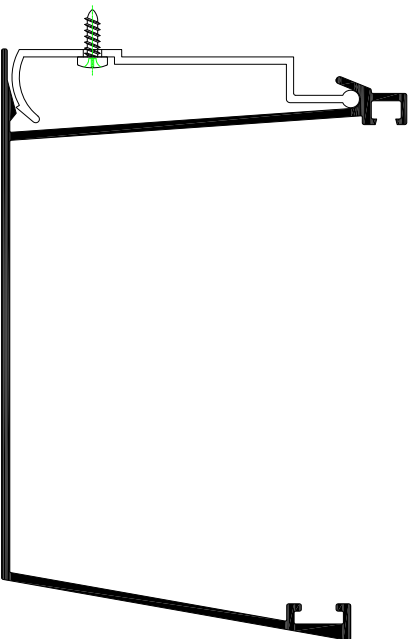
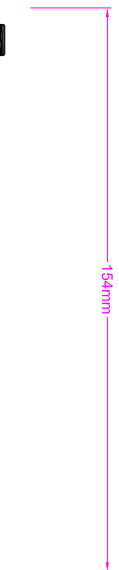
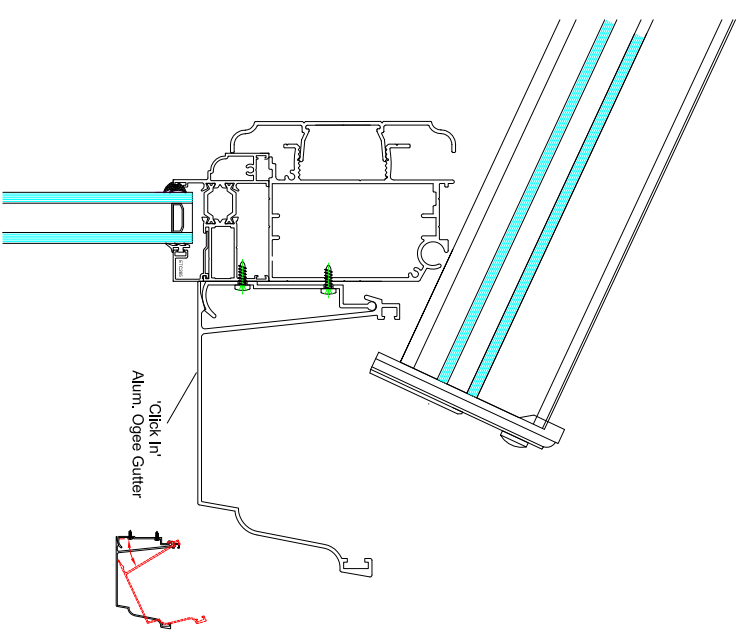


TYPICAL APPLICATION ONLY

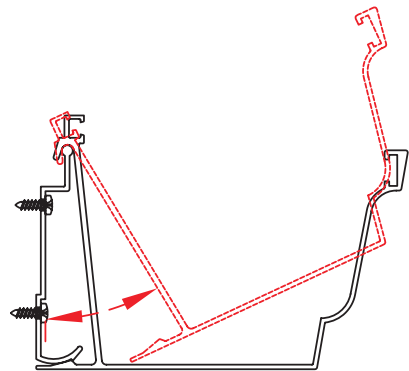
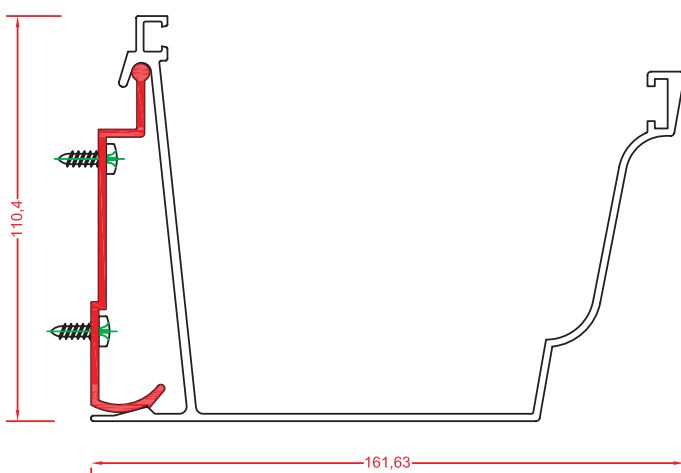
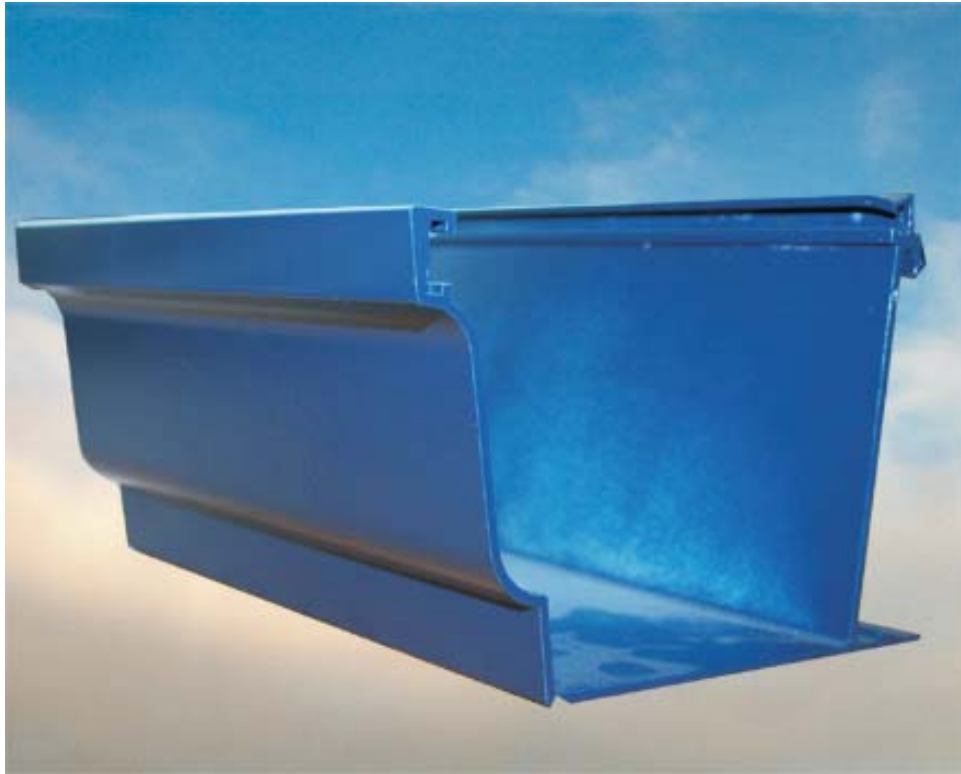


Rev.	Comments
A	

DETAILS by GARY HOWELLS

H Howells Patent Glazing
 Tilton Works
 Woods Lane
 Cradley Heath
 West Midlands
 B64 7AS
P Tel :- 01384 820060
 Fax :- 01384 820061
G e-mail :-
 enquiries@howellsglazing.co.uk

Extruded Alum. Ogee Gutter



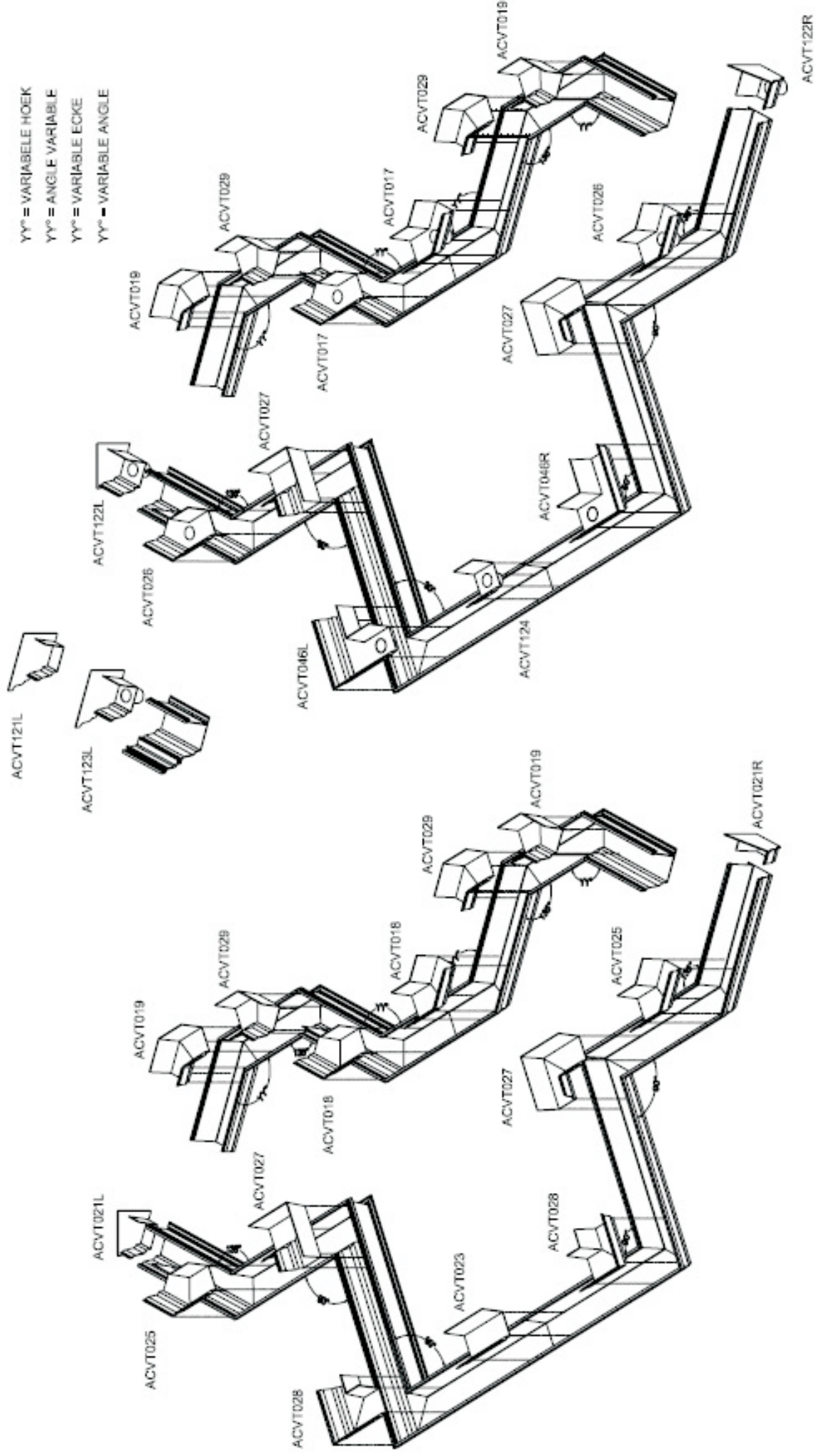
Clock House, Forge Lane, Cradley Heath. Warley. West Midlands. B64 5AL.

Tel. 01384 820060 Fax. 01384 860150

Email- sales@howellsglazing.co.uk

Web Site. www.howellsglazing.co.uk

Howells Patent Glazing - Gutter Details

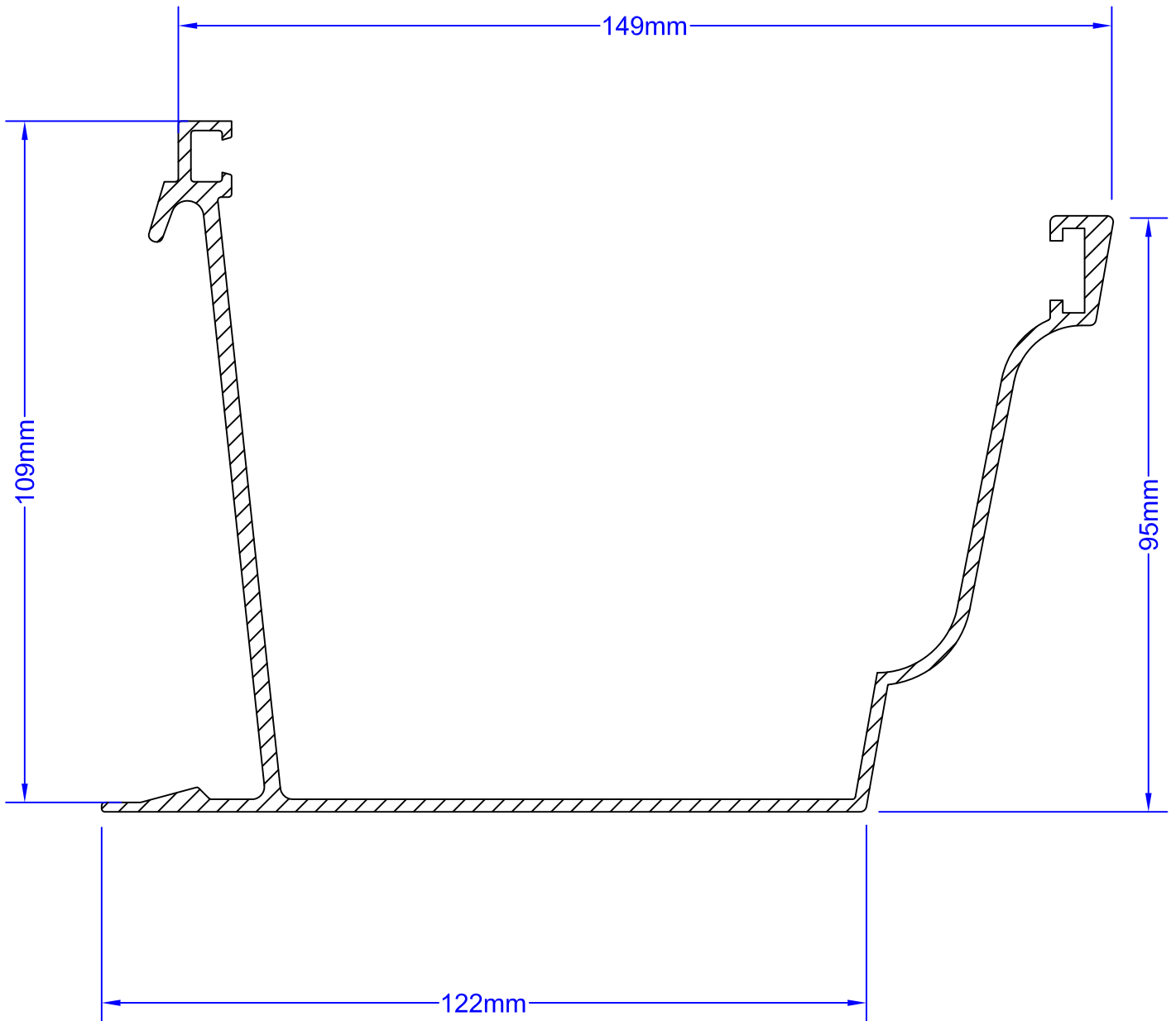
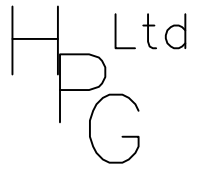


Section/ Page	VT - 01
---------------	---------

Scale Factor	Scale 1:1 @ A4
--------------	-------------------

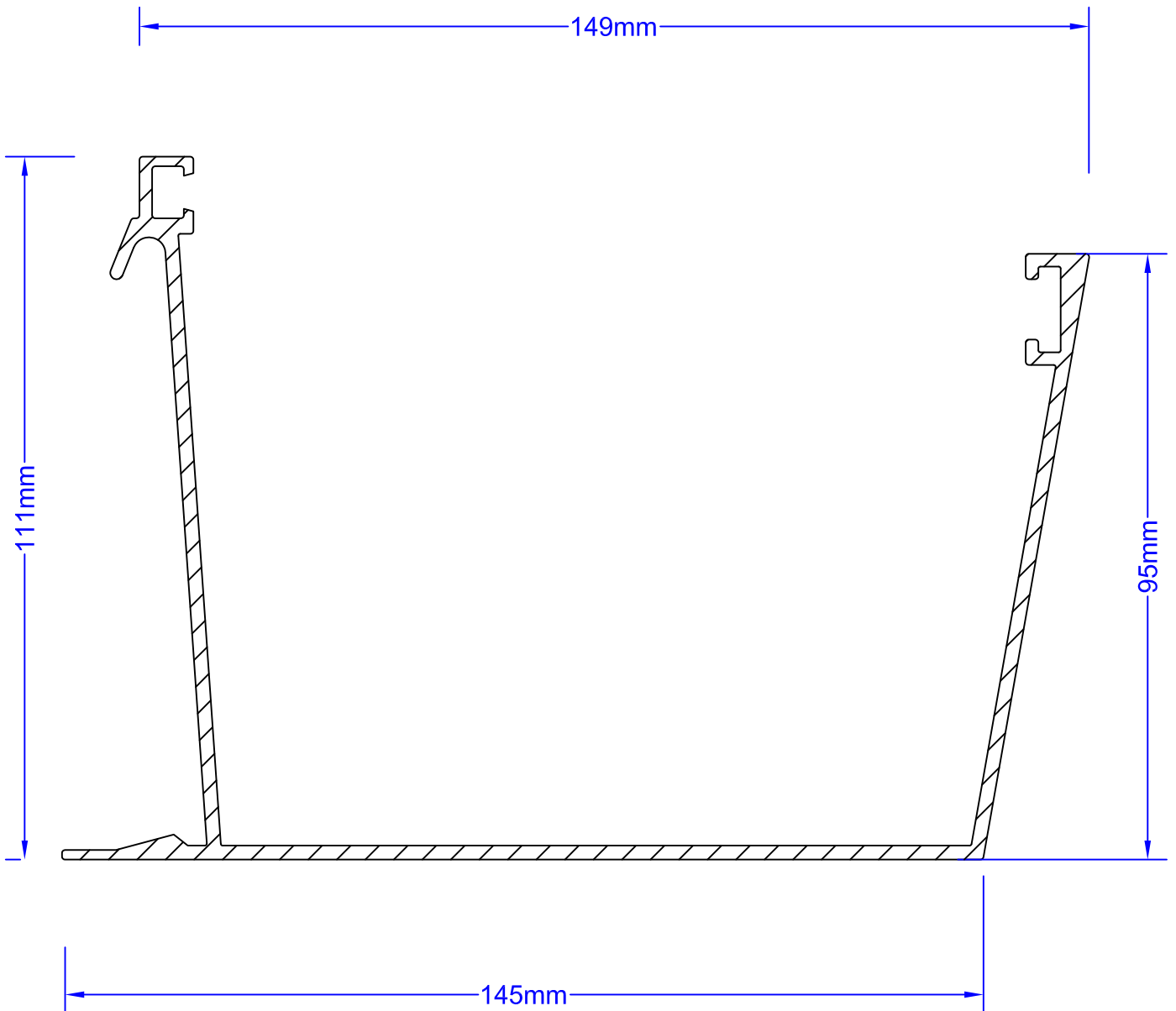
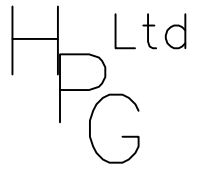
Specification

VT 020 Gutter System (Alum)



Section/ Page	VT - 01(B)
Scale Factor	Scale 1:1 @ A4

Specification
VT 021 Gutter System (Alum)



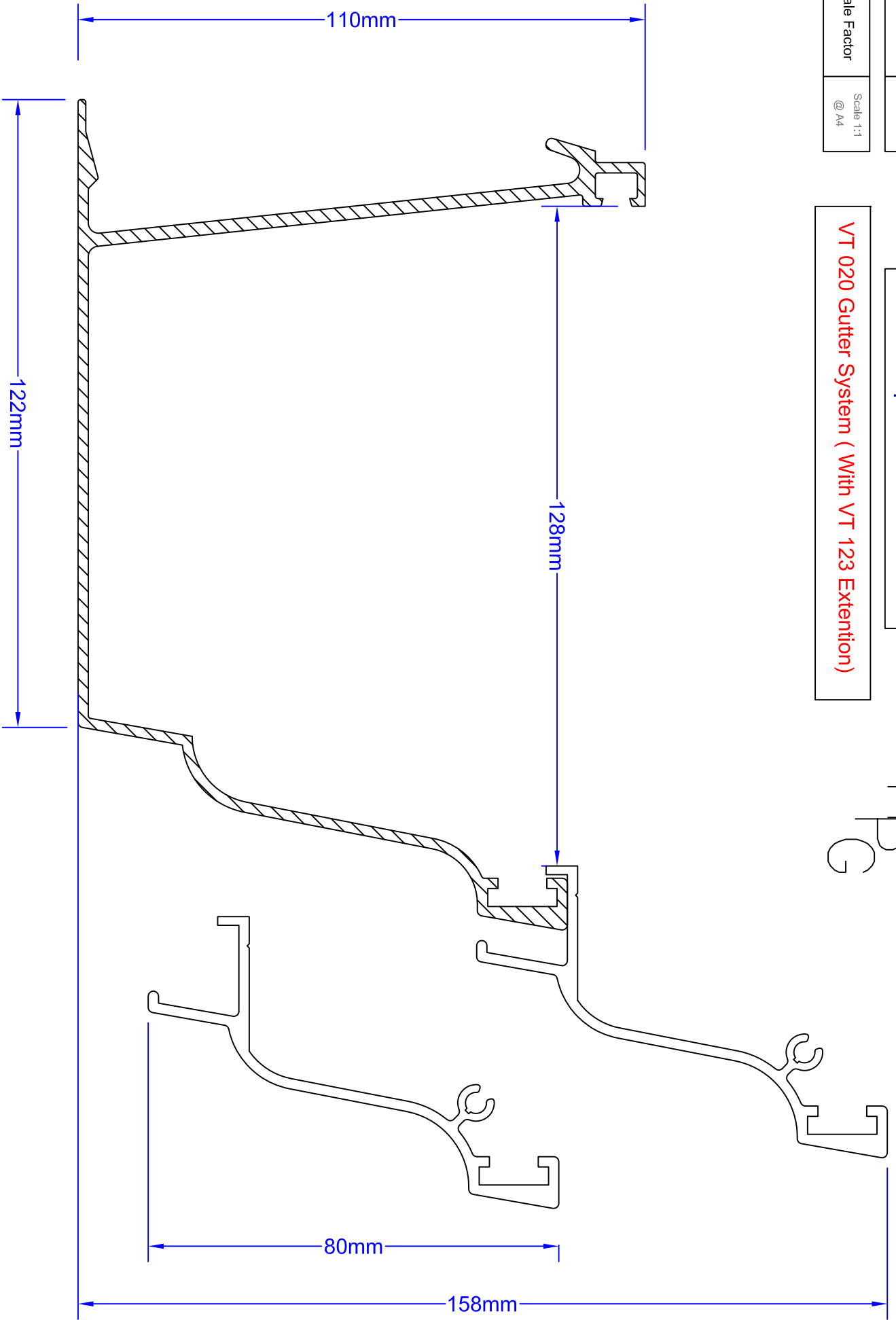
Section/ Page VT - 01-A

Scale Factor Scale 1:1 @ A4

Specification

VT 020 Gutter System (With VT 123 Extension)

HP Ltd
G

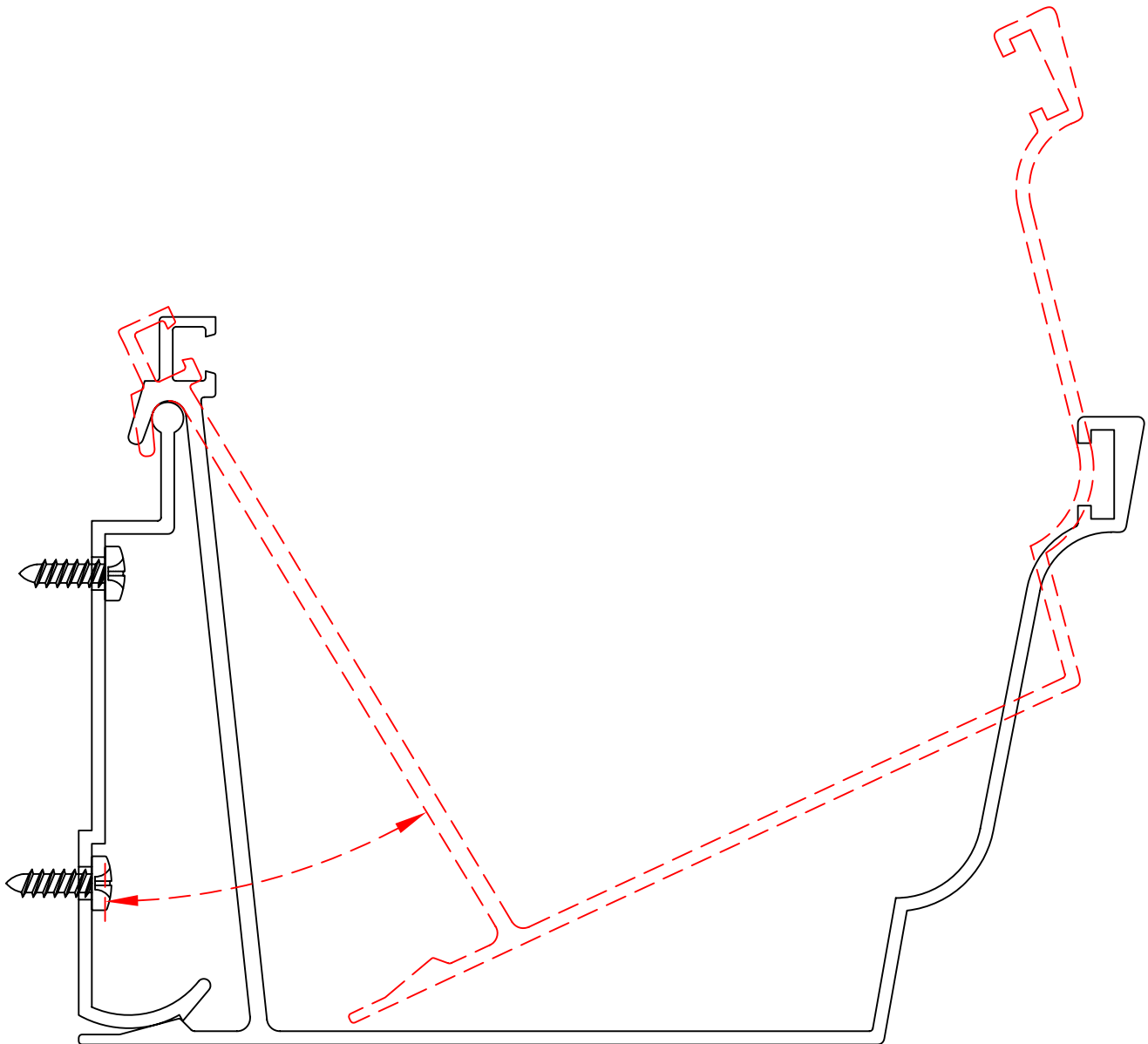


Section/ Page	VT - 07
---------------	---------

Scale Factor	Scale 1:1 @ A4
--------------	-------------------

Specification

VT 020 Gutter System (Alum)

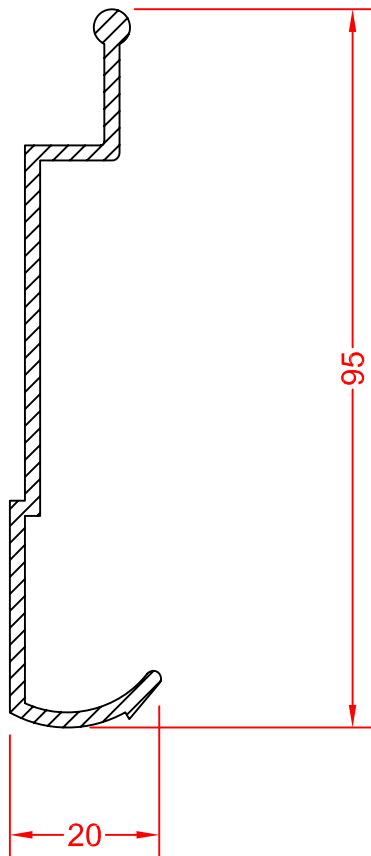
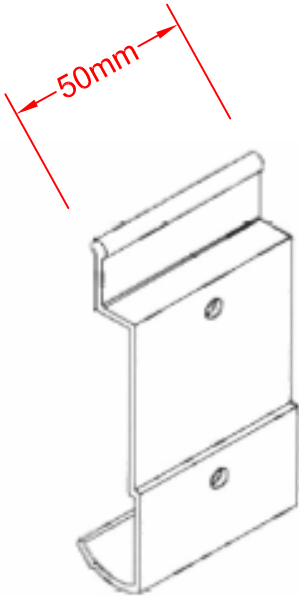
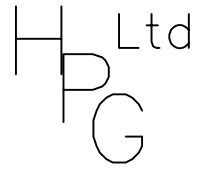


Section/ Page	VT - 04
---------------	---------

Scale Factor	Not to Scale
--------------	--------------

Specification

ACVT -020 Wall Bracket



Powder Coat
ALL Surfaces

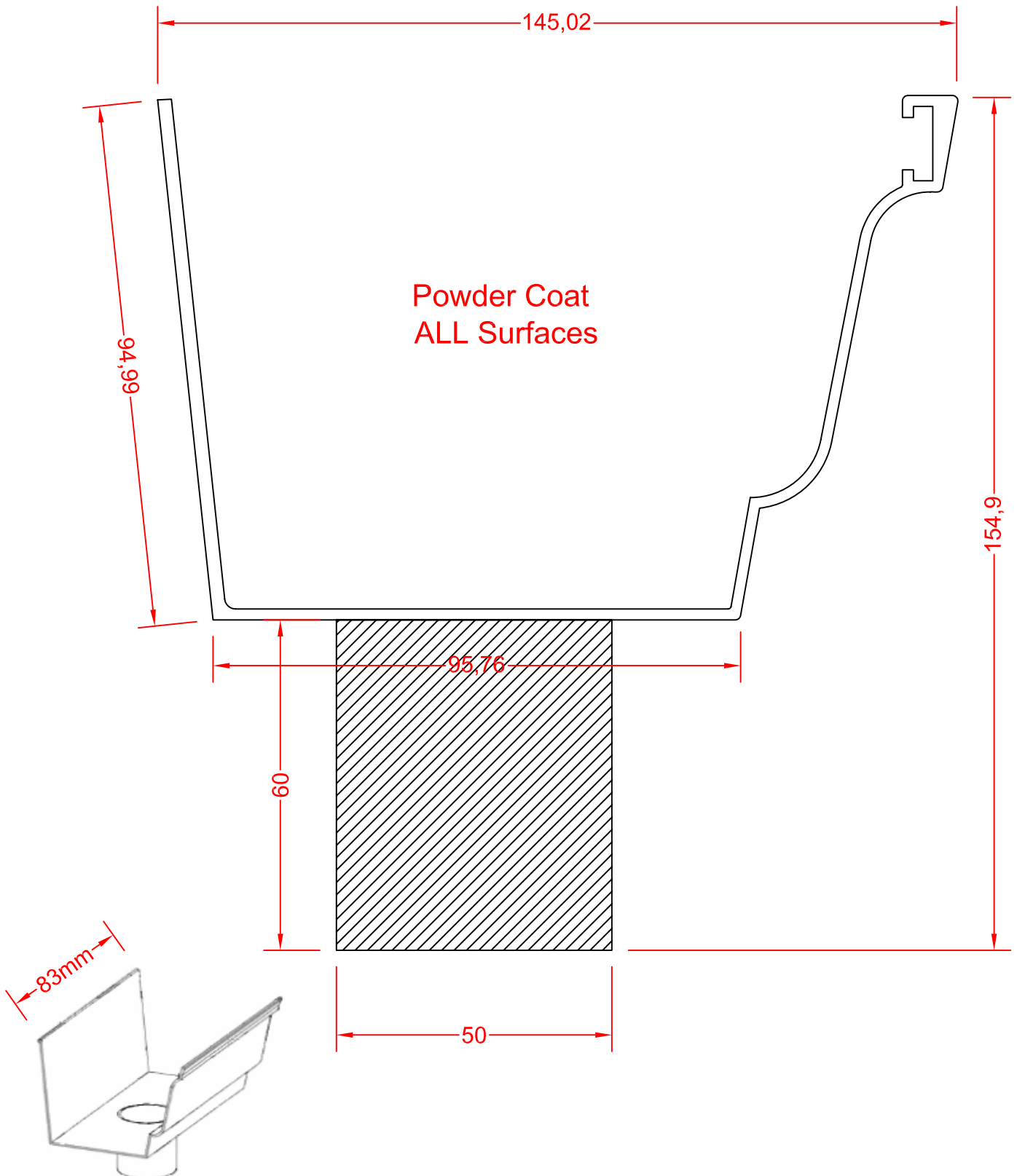
Section/ Page	VT - 06
---------------	---------

Specification



Scale Factor	Not to Scale
--------------	--------------

ACVT -124 - Outlet

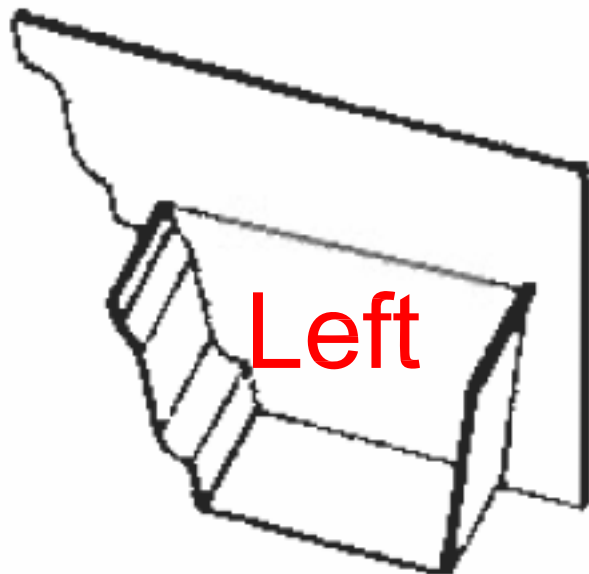
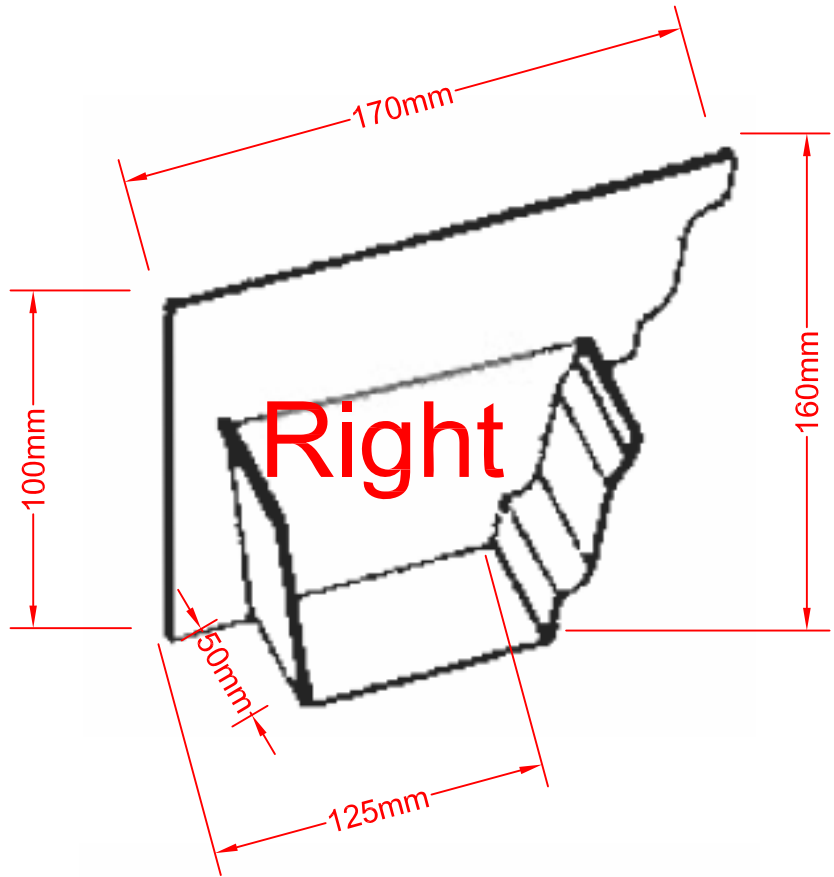


Section/ Page	VT - 05
---------------	---------

Scale Factor	Not to Scale
--------------	--------------

Specification

ACVT -021 Gutter End Stop



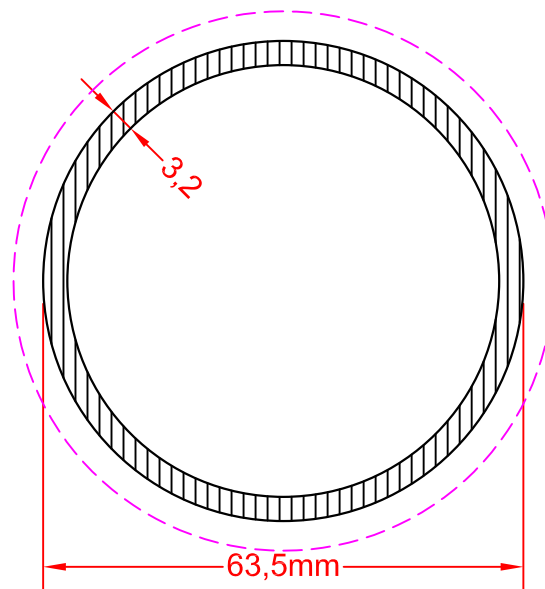
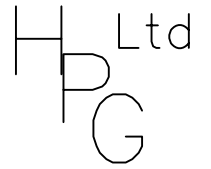
Powder Coat
ALL Surfaces



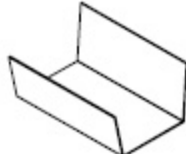
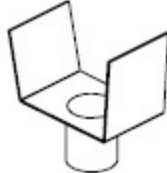
Section/ Page	VT - 02
---------------	---------



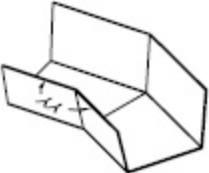


Scale Factor	Scale 1:1 @ A4
--------------	-------------------





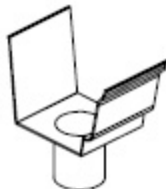
Specification


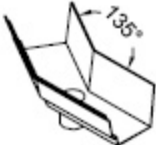
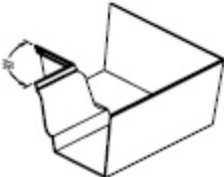
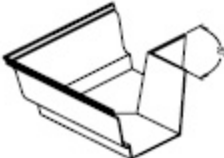
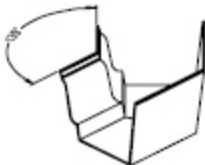
VT 020 Downpipe



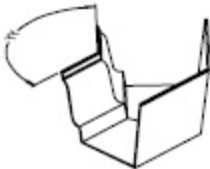
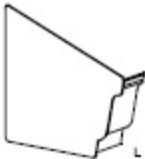
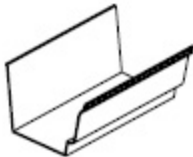


		Voo. per Emb. per Pack pr.	Eenheid Unit Stuk Unit	Toepassing Application Anwendung Application	Kleur Colour Farbe Color												
	<p>ACVT222L</p> <ul style="list-style-type: none"> -Eindstuk goot met uitloop links -Embout avec sortie gauche -Endstück mit auflauf links -Outlet with stopend and socket left 	1	Stuk Pièce Stück Piece	VT021	<table border="1"> <tr><td>BR</td><td></td></tr> <tr><td>AN</td><td></td></tr> <tr><td>KL</td><td>X</td></tr> <tr><td>GG</td><td></td></tr> <tr><td>Z</td><td></td></tr> <tr><td>W</td><td></td></tr> </table>	BR		AN		KL	X	GG		Z		W	
BR																	
AN																	
KL	X																
GG																	
Z																	
W																	
	<p>ACVT222R</p> <ul style="list-style-type: none"> -Eindstuk goot met uitloop rechts -Embout avec sortie droit -Endstück mit auflauf rechts -Outlet with stopend and socket right 	1	Stuk Pièce Stück Piece	VT021	<table border="1"> <tr><td>BR</td><td></td></tr> <tr><td>AN</td><td></td></tr> <tr><td>KL</td><td>X</td></tr> <tr><td>GG</td><td></td></tr> <tr><td>Z</td><td></td></tr> <tr><td>W</td><td></td></tr> </table>	BR		AN		KL	X	GG		Z		W	
BR																	
AN																	
KL	X																
GG																	
Z																	
W																	
	<p>ACVT223</p> <ul style="list-style-type: none"> -Koppelstuk goot -Raccord gouttière -Kupplung -Union gutter 	1	Stuk Pièce Stück Piece	VT021	<table border="1"> <tr><td>BR</td><td></td></tr> <tr><td>AN</td><td></td></tr> <tr><td>KL</td><td></td></tr> <tr><td>GG</td><td></td></tr> <tr><td>Z</td><td></td></tr> <tr><td>W</td><td></td></tr> </table>	BR		AN		KL		GG		Z		W	
BR																	
AN																	
KL																	
GG																	
Z																	
W																	
	<p>ACVT224</p> <ul style="list-style-type: none"> -Koppelstuk goot -Raccord gouttière -Kupplung -Union gutter 	1	Stuk Pièce Stück Piece	VT021	<table border="1"> <tr><td>BR</td><td></td></tr> <tr><td>AN</td><td></td></tr> <tr><td>KL</td><td></td></tr> <tr><td>GG</td><td></td></tr> <tr><td>Z</td><td></td></tr> <tr><td>W</td><td></td></tr> </table>	BR		AN		KL		GG		Z		W	
BR																	
AN																	
KL																	
GG																	
Z																	
W																	

		Verp. per Emb. per Pack pr.	Stuk Unit Einheit Unit	Toepassing Application Anwendung	Kleur Couleur Farbe Color
	ACVT217YY -Koppelstuk goot met uitloop diam. 50mm -Raccord gouttière avec sortie diam. 50mm -Kupplung mit auflauf diam. 50mm -Union gutter with socket diam. 50mm YY = variabel/variable	1	Stuk Pièce Stück Piece	VT021	BR AN KL GS Z W
	ACVT218YY -Koppelstuk goot -Raccord gouttière -Kupplung -Union gutter YY = variabel/variable	1	Stuk Pièce Stück Piece	VT021	BR AN KL GS Z W
	ACVT219YY -Koppelstuk goot -Raccord gouttière -Kupplung -Union gutter YY = variabel/variable	1	Stuk Pièce Stück Piece	VT021	BR AN KL GS Z W
	ACVT221L -Eindstuk goot links -Fermeture latérale pour gouttière gauche -Endkap für Dachrinne links -Gutter sideplate left	1	Stuk Pièce Stück Piece	VT021	BR AN KL X GS Z W
	ACVT221R -Eindstuk goot rechts -Fermeture latérale pour gouttière droit -Endkap für Dachrinne rechts -Gutter sideplate right	1	Stuk Pièce Stück Piece	VT021	BR AN KL X GS Z W

		Veg. per Emb. per Pack pr.	Serialized Units Stück Unit	Topassing Application Anwendung Application	Rear Colour Farbe Color												
	<p>ACVT120</p> <ul style="list-style-type: none"> -Bevestiging voor goot -Fixation pour gouttière -Befestigung für Dachrinne -Bracket for gutter 	1	Stuk Pièce Stück Piece	VT020	<table border="1"> <tr><td>BR</td><td>X</td></tr> <tr><td>AN</td><td></td></tr> <tr><td>KL</td><td></td></tr> <tr><td>GG</td><td></td></tr> <tr><td>Z</td><td></td></tr> <tr><td>W</td><td></td></tr> </table>	BR	X	AN		KL		GG		Z		W	
BR	X																
AN																	
KL																	
GG																	
Z																	
W																	
 <p style="text-align: right;">L</p>	<p>ACVT121 L/R</p> <ul style="list-style-type: none"> -Eindstuk goot -Fermeture latérale pour gouttière -Endklappe für Dachrinne -Outer side plate 	1	Stuk Pièce Stück Piece	VT020 VT123	<table border="1"> <tr><td>BR</td><td>X</td></tr> <tr><td>AN</td><td></td></tr> <tr><td>KL</td><td>X</td></tr> <tr><td>GG</td><td>X</td></tr> <tr><td>Z</td><td></td></tr> <tr><td>W</td><td></td></tr> </table>	BR	X	AN		KL	X	GG	X	Z		W	
BR	X																
AN																	
KL	X																
GG	X																
Z																	
W																	
 <p style="text-align: right;">L</p>	<p>ACVT122 L/R</p> <ul style="list-style-type: none"> -Eindstuk goot met uitloop diam. 50mm -Embout avec sortie diam. 50mm -Endstück mit Auflauf diam. 50mm -Outlet with stop end and socket diam. 50mm 	1	Stuk Pièce Stück Piece	VT020	<table border="1"> <tr><td>BR</td><td>X</td></tr> <tr><td>AN</td><td></td></tr> <tr><td>KL</td><td>X</td></tr> <tr><td>GG</td><td>X</td></tr> <tr><td>Z</td><td></td></tr> <tr><td>W</td><td></td></tr> </table>	BR	X	AN		KL	X	GG	X	Z		W	
BR	X																
AN																	
KL	X																
GG	X																
Z																	
W																	
 <p style="text-align: right;">L</p>	<p>ACVT123 L/R</p> <ul style="list-style-type: none"> -Eindstuk goot -Embout avec sortie -Endstück mit Auflauf -Outlet with stop end and socket 	1	Stuk Pièce Stück Piece	VT020 VT123	<table border="1"> <tr><td>BR</td><td>X</td></tr> <tr><td>AN</td><td></td></tr> <tr><td>KL</td><td>X</td></tr> <tr><td>GG</td><td>X</td></tr> <tr><td>Z</td><td></td></tr> <tr><td>W</td><td></td></tr> </table>	BR	X	AN		KL	X	GG	X	Z		W	
BR	X																
AN																	
KL	X																
GG	X																
Z																	
W																	
	<p>ACVT124</p> <ul style="list-style-type: none"> -Uitloop goot VT020 diam. 50mm -Raccord VT020 avec descente diam. 50mm -Kupplung VT020 mit Auflauf diam. 50mm -Outlet gutter VT020 diam. 50mm 	1	Stuk Pièce Stück Piece	VT020	<table border="1"> <tr><td>BR</td><td></td></tr> <tr><td>AN</td><td></td></tr> <tr><td>KL</td><td></td></tr> <tr><td>GG</td><td></td></tr> <tr><td>Z</td><td></td></tr> <tr><td>W</td><td></td></tr> </table>	BR		AN		KL		GG		Z		W	
BR																	
AN																	
KL																	
GG																	
Z																	
W																	

		Verp. per Emb. per Pack pr.	Stuk Unit	Toepassing Application	Kleur Couleur												
			Unit	Application	Color												
	ACVT025 -Koppelstuk goot 135° -Raccord gouttière 135° -Kupplung Dachrinne 135° -Union gutter 135°	1	Stuk Piece Stück Piece	VT020	<table border="1"> <tr><td>BR</td><td></td></tr> <tr><td>AN</td><td></td></tr> <tr><td>KL</td><td></td></tr> <tr><td>GS</td><td></td></tr> <tr><td>Z</td><td></td></tr> <tr><td>W</td><td></td></tr> </table>	BR		AN		KL		GS		Z		W	
BR																	
AN																	
KL																	
GS																	
Z																	
W																	
	ACVT026 -Koppelstuk goot 135° met afvoer (buitenhoek) diam. 50mm -Raccord gouttière 135° avec descente (angle ext.) diam. 50mm -Verbindungsstück Dachrinne 135° mit Ablauf (ausßen Ecke) diam. 50mm -Coupling gutter 135° with outlet (angle outside) diam. 50mm	1	Stuk Piece Stück Piece	VT020	<table border="1"> <tr><td>BR</td><td></td></tr> <tr><td>AN</td><td></td></tr> <tr><td>KL</td><td></td></tr> <tr><td>GS</td><td></td></tr> <tr><td>Z</td><td></td></tr> <tr><td>W</td><td></td></tr> </table>	BR		AN		KL		GS		Z		W	
BR																	
AN																	
KL																	
GS																	
Z																	
W																	
	ACVT027 -Koppelstuk goot 90° (binnenhoek) -Raccord gouttière 90° (angle int.) -Verbindungsstück Dachrinne 90° (innen Ecke) -Coupling gutter 90° (inside angle)	1	Stuk Piece Stück Piece	VT020	<table border="1"> <tr><td>BR</td><td></td></tr> <tr><td>AN</td><td></td></tr> <tr><td>KL</td><td></td></tr> <tr><td>GS</td><td></td></tr> <tr><td>Z</td><td></td></tr> <tr><td>W</td><td></td></tr> </table>	BR		AN		KL		GS		Z		W	
BR																	
AN																	
KL																	
GS																	
Z																	
W																	
	ACVT028 -Koppelstuk goot 90° (buitenhoek) -Raccord gouttière 90° (angle ext.) -Verbindungsstück Dachrinne 90° (ausßen Ecke) -Coupling gutter 90° (outside angle)	1	Stuk Piece Stück Piece	VT020	<table border="1"> <tr><td>BR</td><td></td></tr> <tr><td>AN</td><td></td></tr> <tr><td>KL</td><td></td></tr> <tr><td>GS</td><td></td></tr> <tr><td>Z</td><td></td></tr> <tr><td>W</td><td></td></tr> </table>	BR		AN		KL		GS		Z		W	
BR																	
AN																	
KL																	
GS																	
Z																	
W																	
	ACVT029 -Koppelstuk goot 135° (binnenhoek) -Raccord gouttière 135° (angle int.) -Verbindungsstück Dachrinne 135° (innen Ecke) -Coupling gutter 135° (inside angle)	1	Stuk Piece Stück Piece	VT020	<table border="1"> <tr><td>BR</td><td></td></tr> <tr><td>AN</td><td></td></tr> <tr><td>KL</td><td></td></tr> <tr><td>GS</td><td></td></tr> <tr><td>Z</td><td></td></tr> <tr><td>W</td><td></td></tr> </table>	BR		AN		KL		GS		Z		W	
BR																	
AN																	
KL																	
GS																	
Z																	
W																	

		Qty. per Emb. per Pack pr. Pack pr.	Stuk Unit Stück Unit	Typing Application Application	Color Code Farbe Color												
	<p>ACVT017 YY</p> <ul style="list-style-type: none"> -Koppelstuk goot met uitloop diam. 50mm -Raccord gouttière avec sortie diam. 50mm -Verbindungsstück Dachrinne mit Aufauf diam. 50mm -Coupling gutter with socket diam. 50mm 	1	Stuk Pièce Stück Pièce	VT020	<table border="1"> <tr><td>BR</td><td></td></tr> <tr><td>AN</td><td></td></tr> <tr><td>KL</td><td></td></tr> <tr><td>GS</td><td></td></tr> <tr><td>Z</td><td></td></tr> <tr><td>W</td><td></td></tr> </table>	BR		AN		KL		GS		Z		W	
BR																	
AN																	
KL																	
GS																	
Z																	
W																	
	<p>ACVT018 YY</p> <ul style="list-style-type: none"> -Koppelstuk goot (var. buitenhoek) -Raccord gouttière (angle var. ext.) -Verbindungsstück Dachrinne (aussen Ecke var.) -Coupling gutter (outside angle var.) <p>op bestelling, sur commande auf Bestellung, on demand</p>	1	Stuk Pièce Stück Pièce	VT020	<table border="1"> <tr><td>BR</td><td></td></tr> <tr><td>AN</td><td></td></tr> <tr><td>KL</td><td></td></tr> <tr><td>GS</td><td></td></tr> <tr><td>Z</td><td></td></tr> <tr><td>W</td><td></td></tr> </table>	BR		AN		KL		GS		Z		W	
BR																	
AN																	
KL																	
GS																	
Z																	
W																	
	<p>ACVT019 YY</p> <ul style="list-style-type: none"> -Koppelstuk goot (var. binnenhoek) -Raccord gouttière (angle var. int.) -Verbindungsstück Dachrinne (innen Ecke var.) -Coupling gutter (inside angle var.) <p>op bestelling, sur commande auf Bestellung, on demand</p>	1	Stuk Pièce Stück Pièce	VT020	<table border="1"> <tr><td>BR</td><td></td></tr> <tr><td>AN</td><td></td></tr> <tr><td>KL</td><td></td></tr> <tr><td>GS</td><td></td></tr> <tr><td>Z</td><td></td></tr> <tr><td>W</td><td></td></tr> </table>	BR		AN		KL		GS		Z		W	
BR																	
AN																	
KL																	
GS																	
Z																	
W																	
	<p>ACVT021 L/R</p> <ul style="list-style-type: none"> -Eindstuk goot -Fermeture latérale pour gouttière -Endcap für Dachrinne -Gutter side plate 	1	Stuk Pièce Stück Pièce	VT020	<table border="1"> <tr><td>BR</td><td>X</td></tr> <tr><td>AN</td><td>X</td></tr> <tr><td>KL</td><td>X</td></tr> <tr><td>GS</td><td>X</td></tr> <tr><td>Z</td><td></td></tr> <tr><td>W</td><td></td></tr> </table>	BR	X	AN	X	KL	X	GS	X	Z		W	
BR	X																
AN	X																
KL	X																
GS	X																
Z																	
W																	
	<p>ACVT023</p> <ul style="list-style-type: none"> -Koppelstuk goot VT020 (L=200mm) -Raccord gouttière pour VT020 (L=200mm) -Kupplung für VT020 (L=200mm) -Union gutter VT020 (L=200mm) 	1	Stuk Pièce Stück Pièce	VT020	<table border="1"> <tr><td>BR</td><td></td></tr> <tr><td>AN</td><td></td></tr> <tr><td>KL</td><td></td></tr> <tr><td>GS</td><td></td></tr> <tr><td>Z</td><td></td></tr> <tr><td>W</td><td></td></tr> </table>	BR		AN		KL		GS		Z		W	
BR																	
AN																	
KL																	
GS																	
Z																	
W																	

ACVT019

KOPPELSTUK GOOT
JOINT FOR GOUTTIERE
KUPPLINGSDEL DRAGHINE
CLUTCH COVER BUTTER

VT020

BESTELFORMULIER
BONDEURAU DE COMMANDE
ORDER DOCUMENT
ALFTRAG FORMULAR

KLANT / CLIENT / KUNDE / CUSTOMER

P.O. : _____

DATE : _____

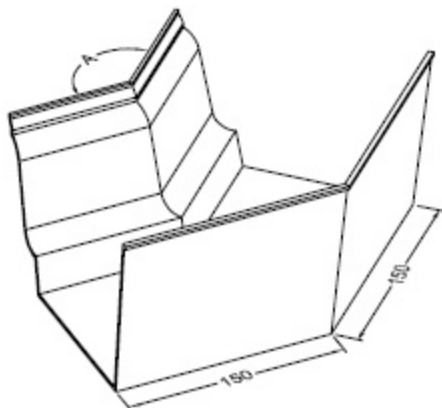
ORDERNR. : _____

REF. : _____

LEVERANCIER : _____

DATUM LEV. : _____

VT020

BINNENHOEK

	SAFEL NUMMER ANZAHL NUMMER
A = ____	
A = ____	
A = ____	
A = ____	

ACVT018

 HOPPE STUK GOOT
 JOINTING CUTTER
 KUPPLINGSDEEL DRACHMINE
 CLUTCH COVER CUTTER

VT020

 BESTELFORMULIER
 BORDREAU DE COMMANDE
 ORDER DOCUMENT
 AUFTRAG FORMULAR

KLANT / CLIENT / KUNDE / CUSTOMER

P.O. : _____

DATE : _____

ORDERNR. : _____

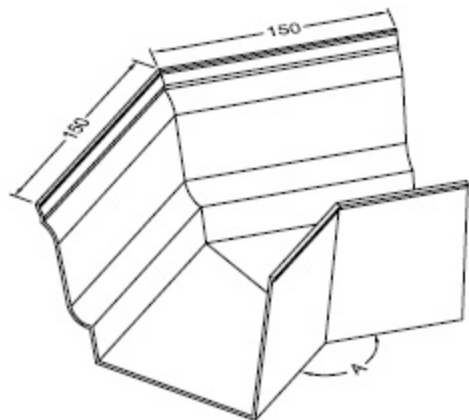
REF. : _____

LEVERANCIER : _____

DATUM LEV. : _____

BUITENHOEK

VT020



	ANPAAL RICHTIGE AfwALTI- NUMMER
A = ____	
A = ____	
A = ____	
A = ____	