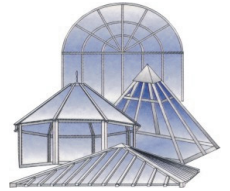
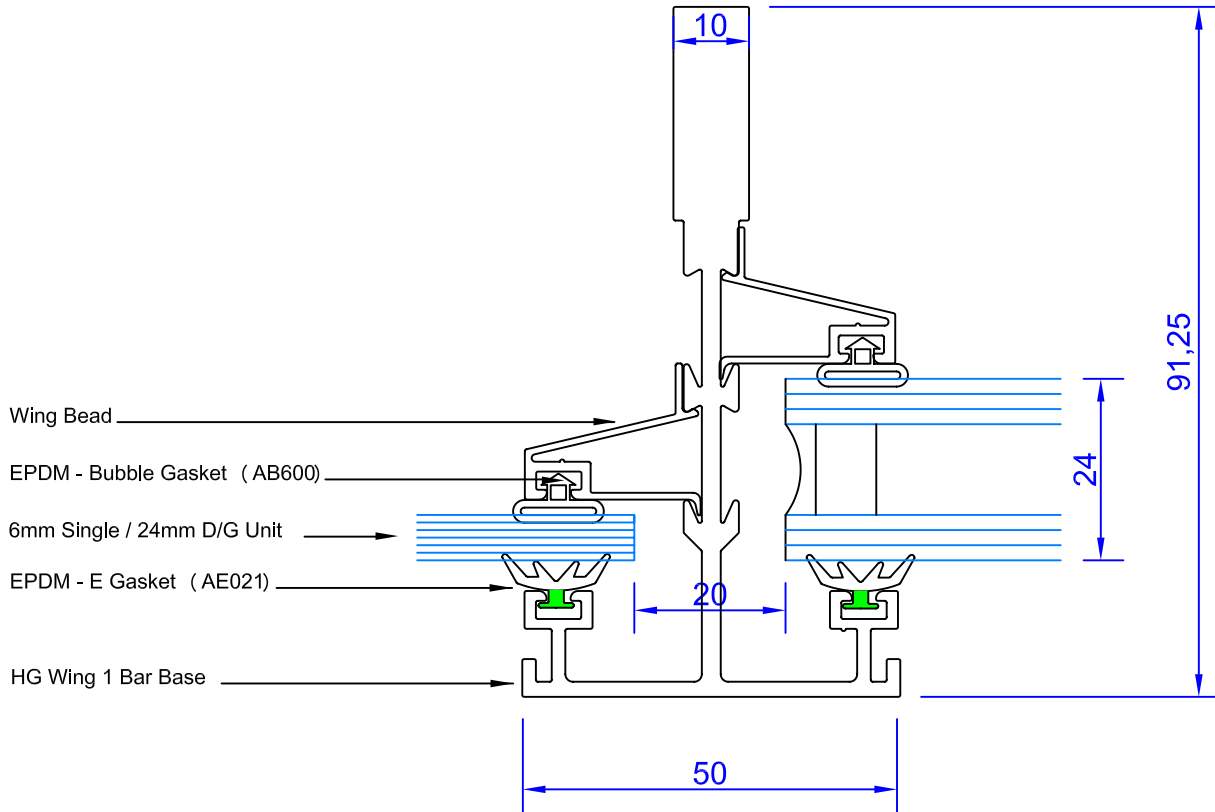


Howells Patent Glazing Bar Systems



HG WING 2 - Heavy Duty System



HG Wing 2 Heavy Duty System

HG Wing 2 Heavy Duty system - can be glazed with a multitude of different glazing materials from 6mm - 24mm by adjusting the gasket thickness size.

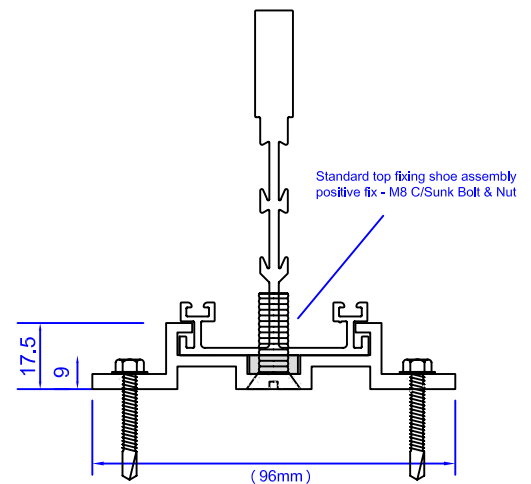
Many standard accessories are available (weather bars, end sheet closures, side flashings etc.) and also fabrication of bespoke aluminium flashing to suit your needs

Span Table

HG Wing 2 Heavy Duty system - maximum recommended spanable length between fixing cleats (shoes) based on N/wm² loadings as shown

Load N/m ²	Bar Centres			
	600mm	800mm	1000mm	
1200 N/m ²	3500mm	2900mm	2700mm	6mm Single Glazing
1000 N/m ²	3600mm	3000mm	2600mm	
750 N/m ²	3700mm	3100mm	2500mm	
1200 N/m ²	3800mm	3600mm	3400mm	16 / 25mm Polycarbonate Glazing
1000 N/m ²	4000mm	3800mm	3600mm	
750 N/m ²	4200mm	4000mm	3800mm	
1200 N/m ²	3100mm	2700mm	2300mm	24mm Double Glazed Units
1000 N/m ²	3200mm	2800mm	2400mm	
750 N/m ²	3300mm	2900mm	2500mm	

HG-FP50 - Fixing Shoe Cleat
(96mm width x 25mm length)



Fixing to metal supports is by a fixing shoe (positively fixed at top with a stainless steel C/Sunk M8 nut & bolt ; bottom fixing shoe is a sliding shoe that may be fixed to suit your eaves position.

Alternative fixing methods are available for steel and wood Fix