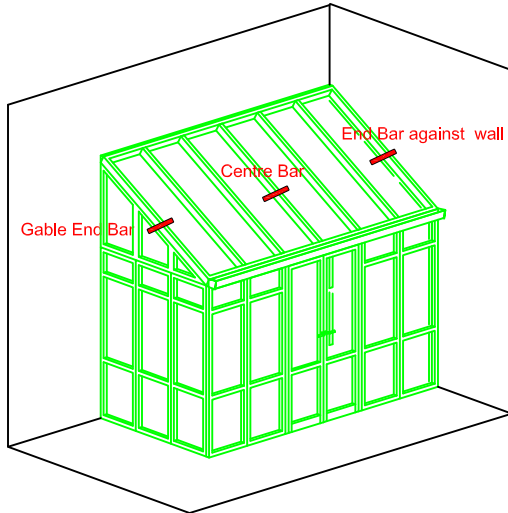
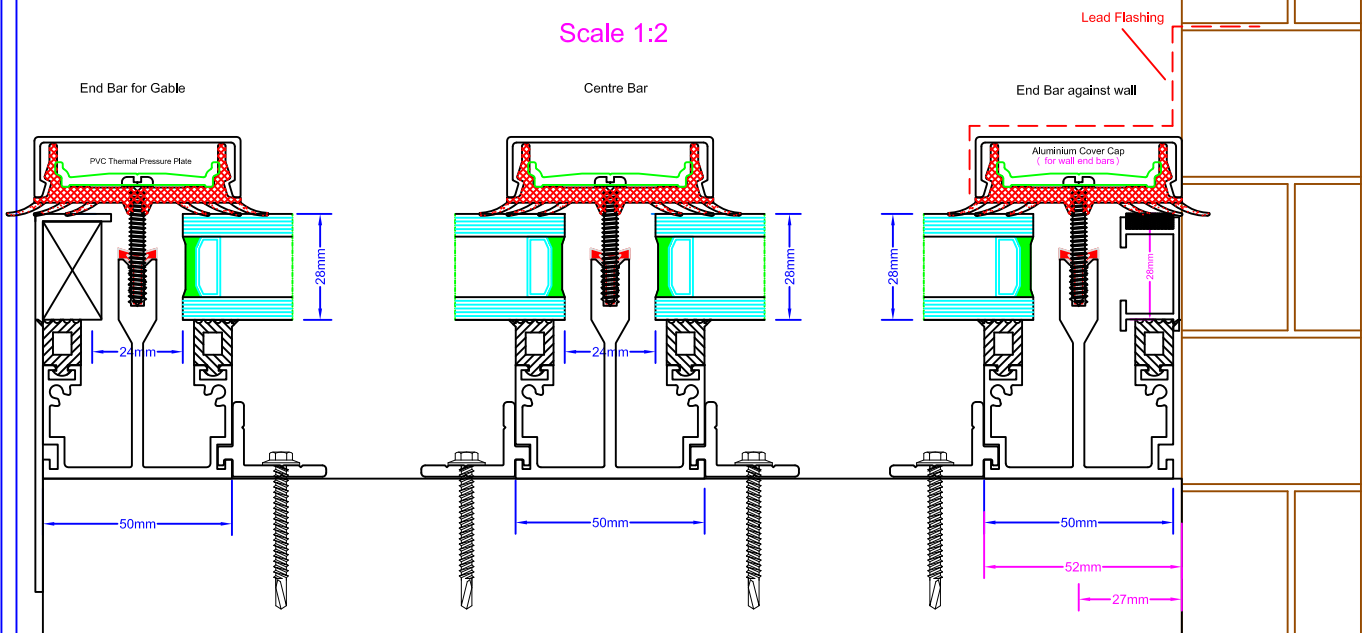


HG50 Light Duty - Overview

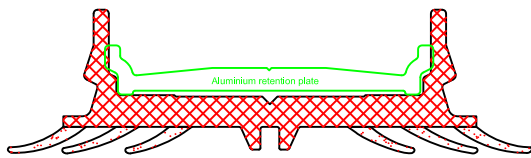
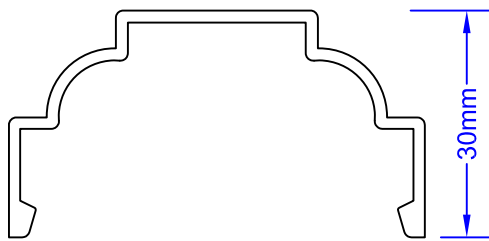
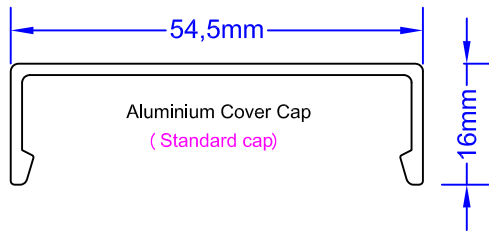


Scale 1:2

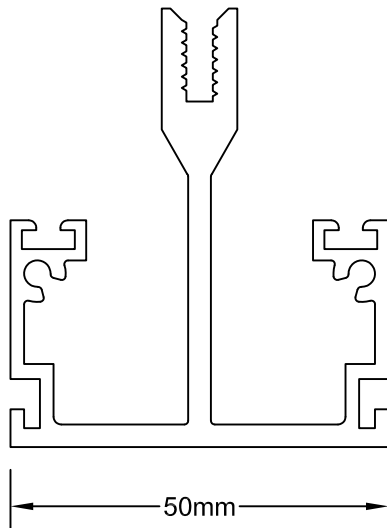


System	Howells Glazing Systems	System Reference	FILE REFERENCE
Description	---	August 2008	HG50 Light Duty
			LIGHT/005

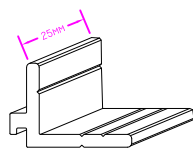
HG50 Light Duty Component List



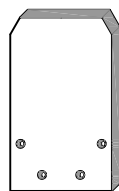
PVC Thermal Pressure Plate (with co extruded gasket)



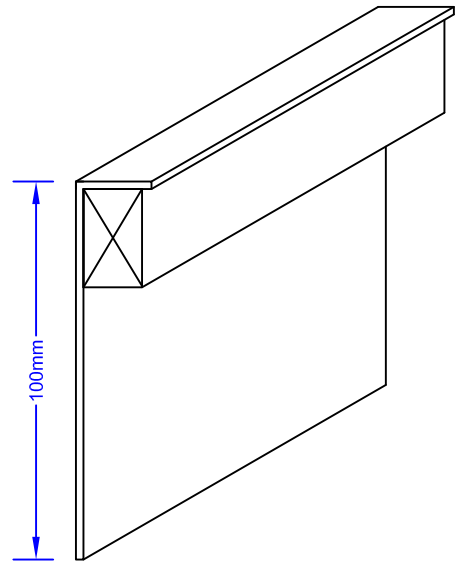
HG50 Light Duty Base



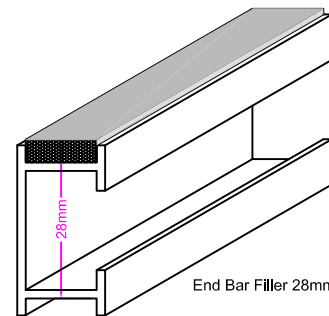
Half Fixing Cleat



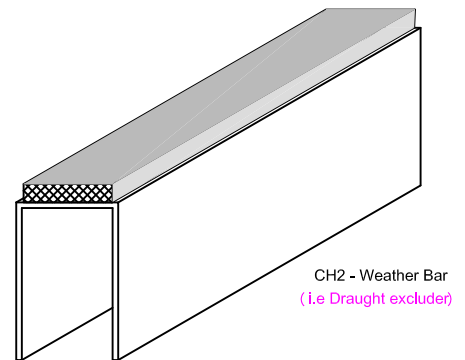
Glass Stop F
(for glazing material up to 28mm)



Side Flashing for 28mm Glazing



End Bar Filler 28mm Glazing



CH2 - Weather Bar
(i.e Draught excluder)



Thermal Isolator

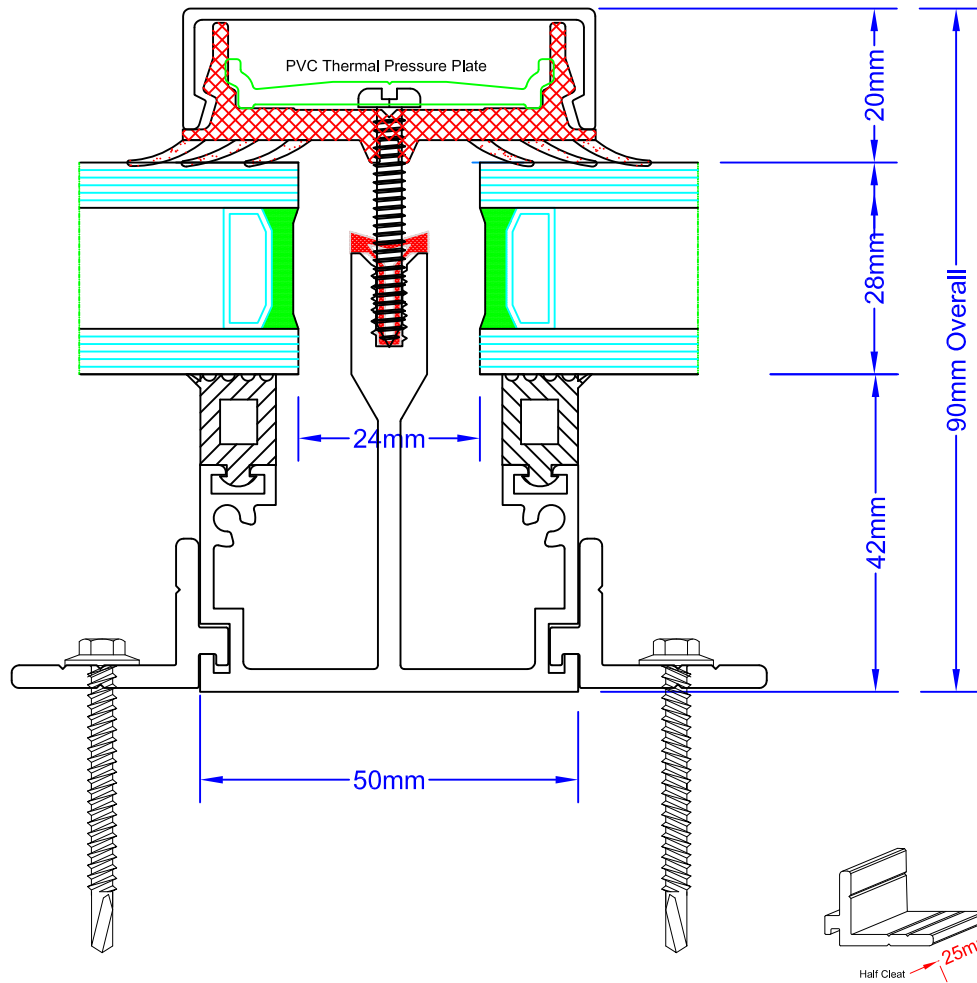


G2 EPDM - Box Gasket

© All details are the copyright of Howells Glazing Systems Ltd

System	Howells Glazing Systems	System Reference	FILE REFERENCE
Description	Centre Bar Detail	August 2008	HG50 Light Duty
			LIGHT/001

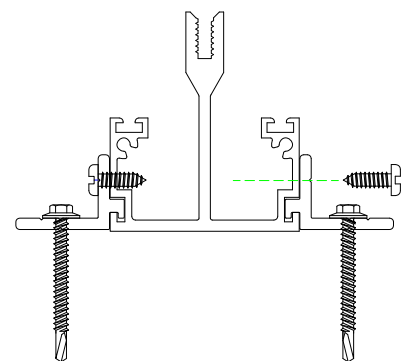
HG50 Light Duty - Centre Bar



Span Table

HG50 Light Duty system - maximum recommended spanable length between fixing cleats (shoes) based on N/m² loadings as shown

Load N/m ²	Bar Centres		
	600mm	800mm	1000mm
1200 N/m ²	1500mm	1300mm	1100mm
1000 N/m ²	1700mm	1500mm	1300mm
750 N/m ²	1900mm	1700mm	1500mm

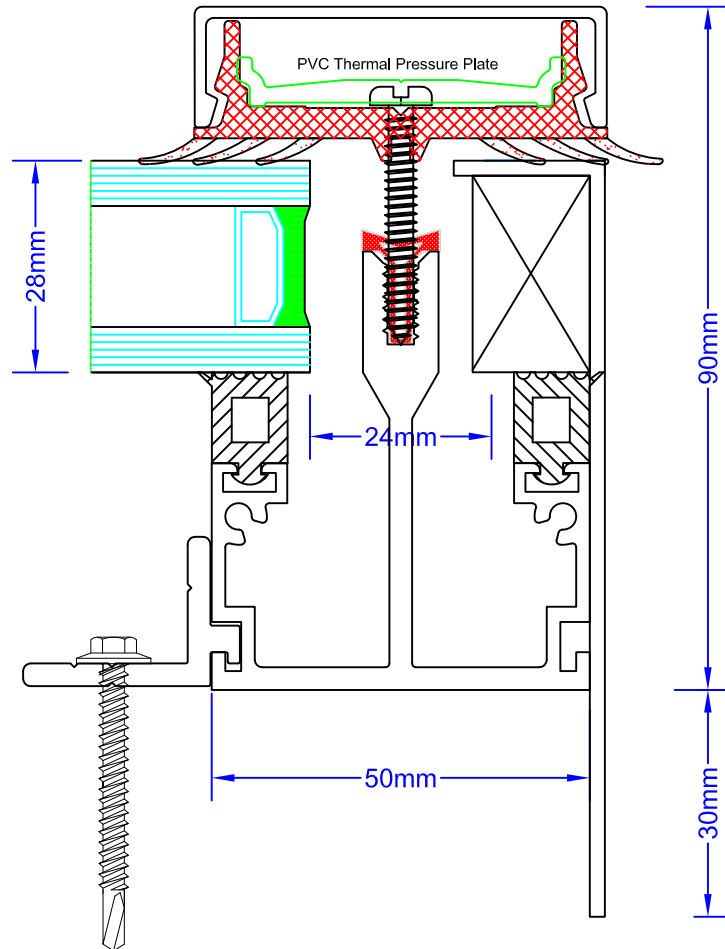


Top Fixing Cleats are positively fixed to suit your wall plate
Bottom Fixing Cleats are can sliding

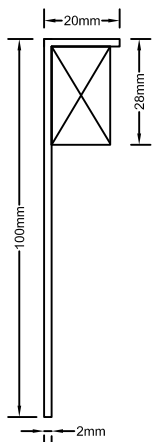


System	Howells Glazing Systems	System Reference	FILE REFERENCE
Description	Centre Bar Detail	August 2008	HG50 Light Duty
			LIGHT/002

HG50 Light Duty - Side Flashing 28mm

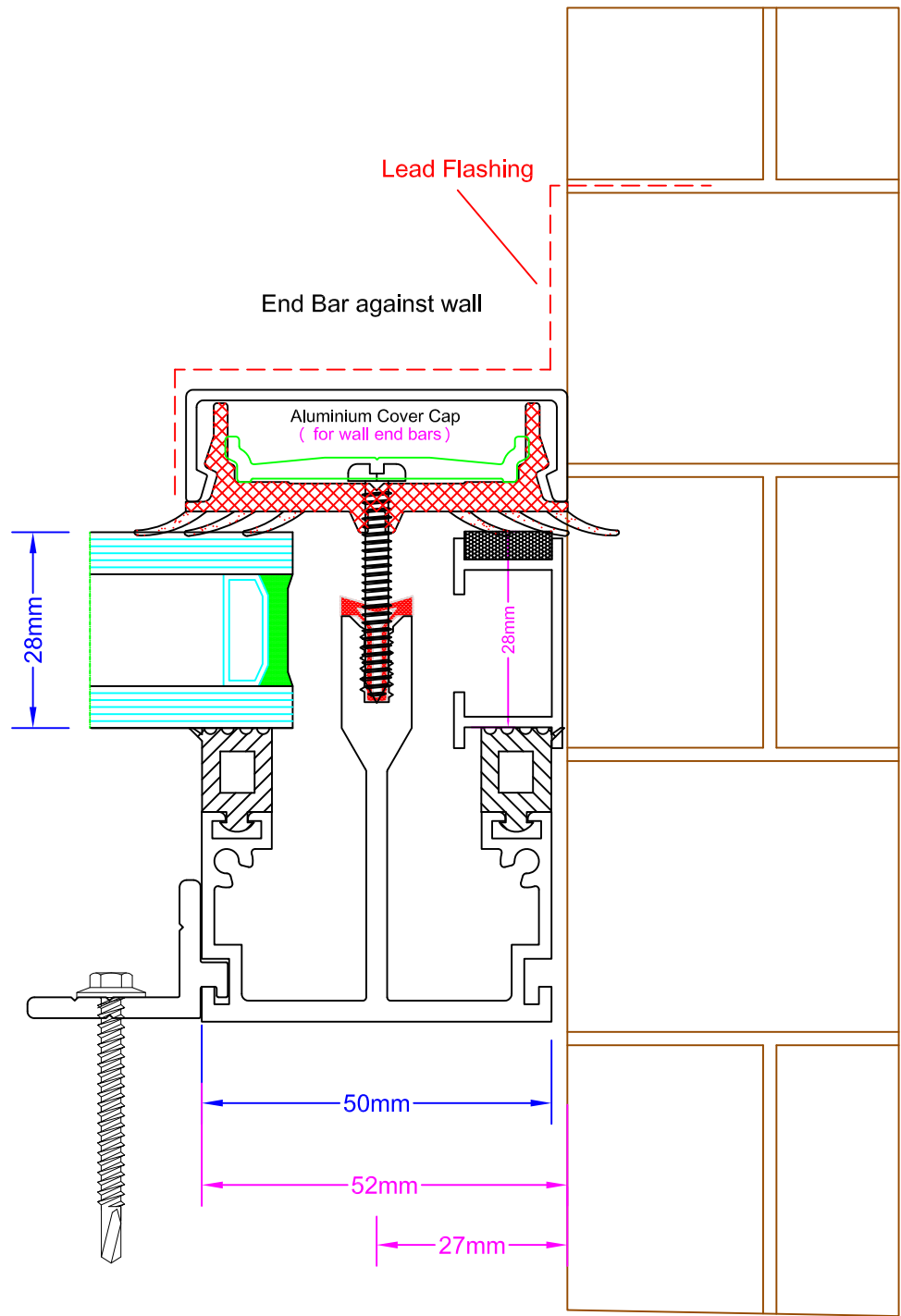


Side Flashing



System	Howells Glazing Systems	System Reference	FILE REFERENCE
Description	End Bar Detail	August 2008	HG50 Light Duty
			LIGHT/004

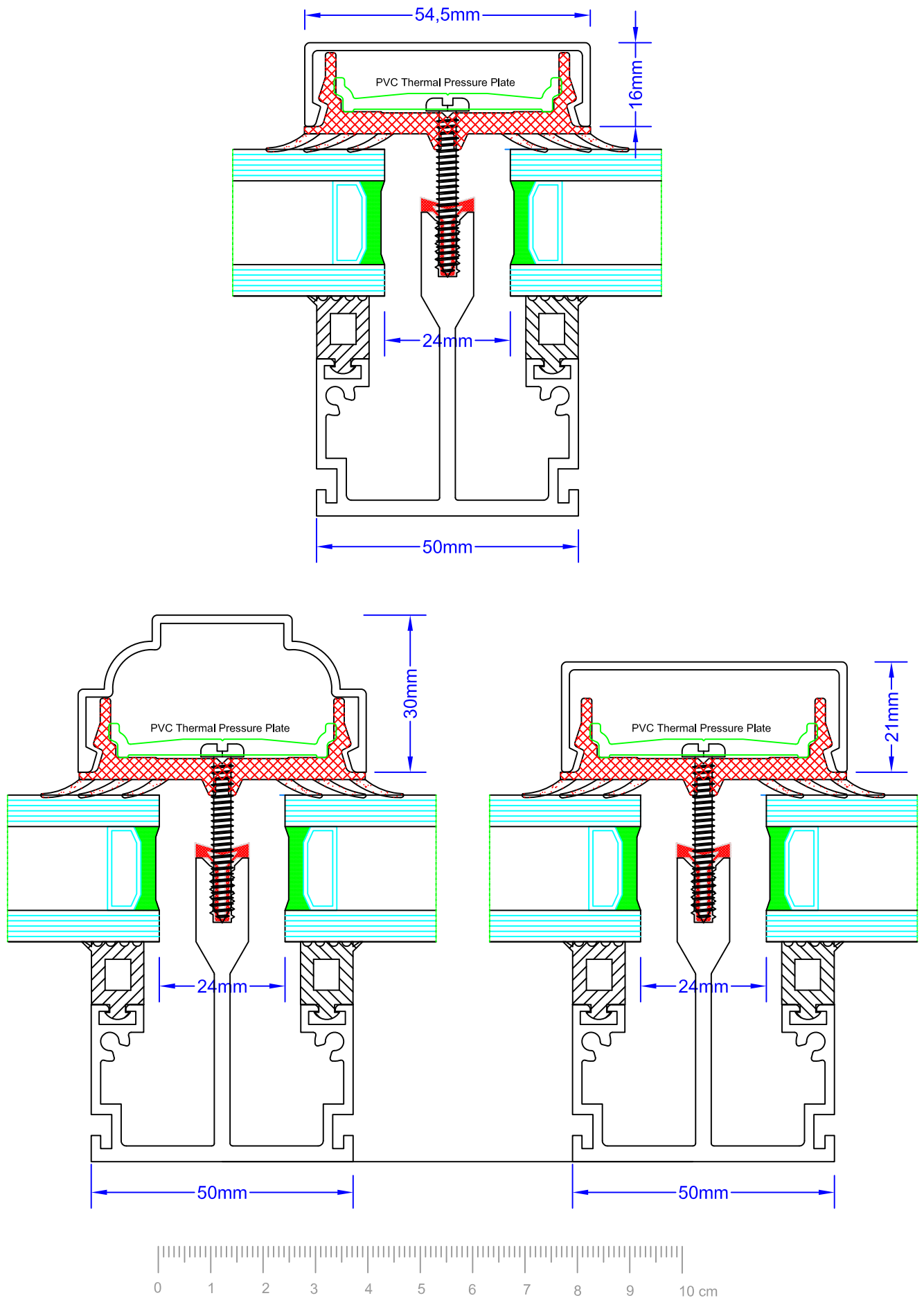
HG50 Light Duty - End Bar Filler 28mm



© All details are the copyright of Howells Glazing Systems Ltd

System	Howells Glazing Systems	System Reference	FILE REFERENCE
Description	End Bar Detail	August 2008	HG50 Light Duty
			LIGHT/003

HG50 Light Duty - Alternative Outer Cappings

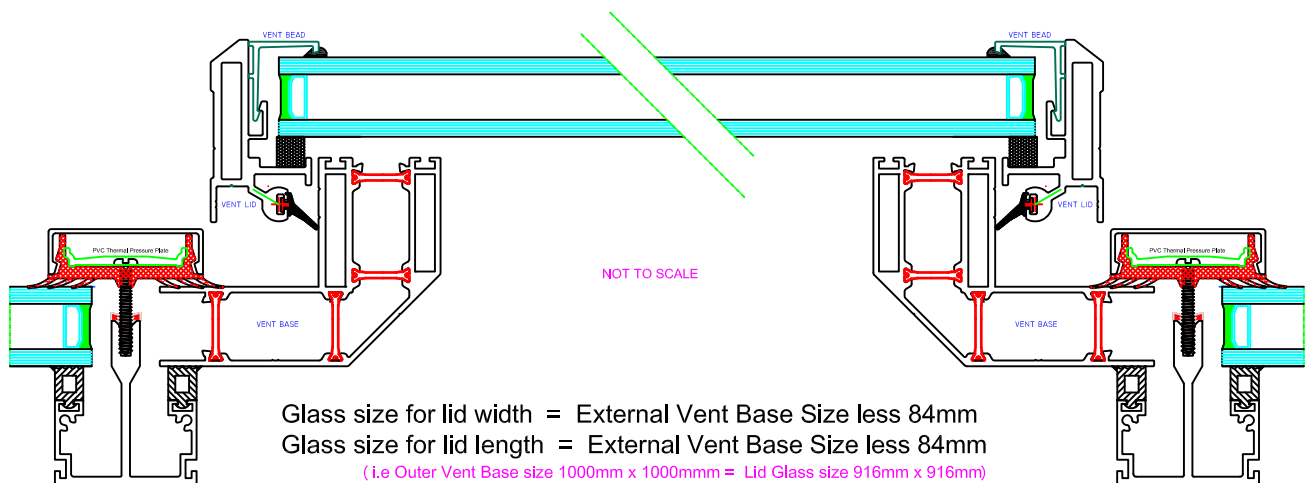
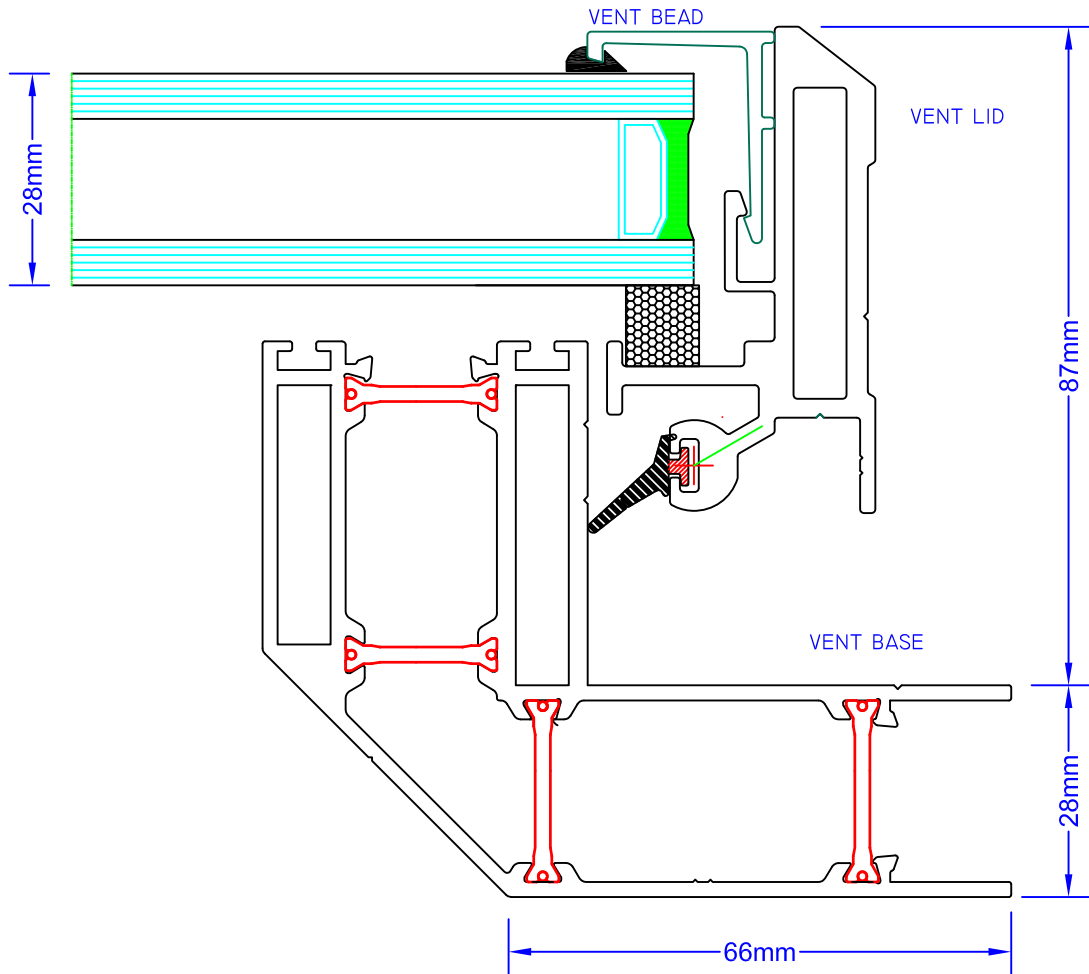
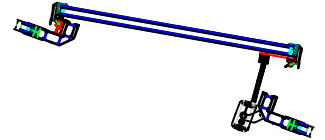


© All details are the copyright of Howells Glazing Systems Ltd

System	Howells Glazing Systems	System Reference	FILE REFERENCE
Description	ALTERNATIVE OUTER CAPPINGS	August 2008	HG50 Light Duty
			LIGHT/007

HG50 Light Duty - 28mm Thermal Roof Vent

Manual or Electrical Vents options available



System	Howells Glazing Systems	System Reference	FILE REFERENCE
Description	HG50 Light - 28mm Roof Vent	August 2008	HG50 Light Duty LIGHT/006