

Cross Sectional View

Drawing title	ROOF LIGHT LANTERN		
Scale	NTS		
Date	20 / 5 / 2008	Revision	A
Customer	JOHN WOTTON ARCHITECTS, CARDIFF. TEL. 029 2039 8888 HOUSE, SWANSEA		
Site	HOUSE, SWANSEA		
Finish	POLYESTER POWDER COATED FINISH (COLOUR T.B.A.)		
Glazing	28MM DOUBLE GLAZED UNITS COMPRISING 4MM CLEAR PLYNIXTON ACTIVE SELF-CLEAN TOUGHENED OUTER 20MM ARGON GAS FILLED CAVITY 4MM CLEAR LOW E TOUGHENED INNER		
U-VALUE	1.2 W/MK2		

Rev.	Comments	Date

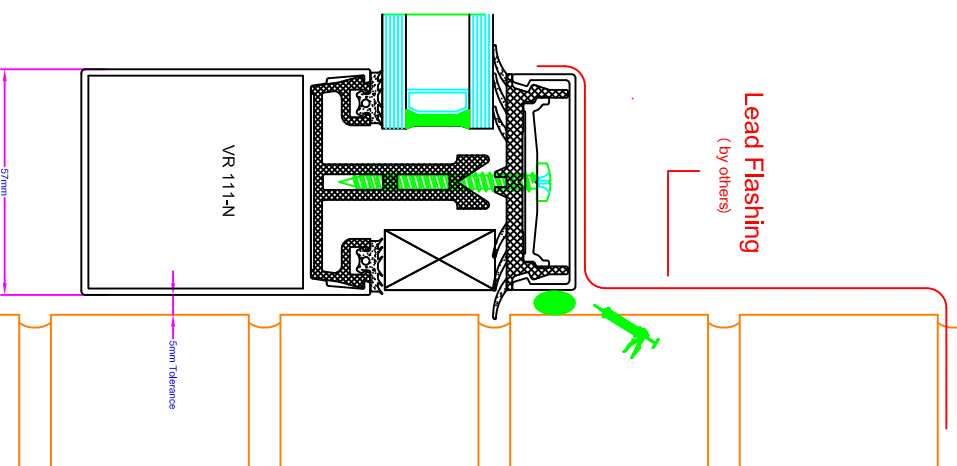
DETAILS by Gary Howells

H Howells Patent Glazing
Clock House
Forge Lane
Cradley Heath
West Midlands
B64 5AL

P Tel :- 01384 820060
Fax :- 01384 820061
e-mail :- enquiries@howellsglazing.co.uk

G Contract No. **C29985** Drawing No. **200-A**
CONSTRUCTION

End Bar Detail Against Wall



Drawing title	ROOF LIGHT LANTERN
Scale	NTS
Date	20/5/2008
Customer	JOHN WOTTON ARCHITECTS, CARDIFF. TEL. 029 2039 8838
Glazing	28MM DOUBLE GLAZED UNITS COMPRISING 4MM CLEAR PLYNIXTON ACTIVE SELF-CLEAN TOUGHENED OUTER 20MM ARGON GAS FILLED CAVITY 4MM CLEAR LOW E TOUGHENED INNER
Finish	POLYESTER POWDER COATED FINISH (COLOUR T.B.A.)
Revision	REVISION A DATE VALUE = 12/04/02

Rev.	Comments	Date

H Howells Patent Glazing
 Clock House
 Forge Lane
 Cradley Heath
 West Midlands
 B64 5AL
 Tel :- 01384 820060
 Fax :- 01384 820061
 e-mail :-
enquiries@howellsglazing.co.uk

G Contract No. **C29985** Drawing No. **200-D**
 CONSTRUCTION