

Howells Glazing Systems Ltd

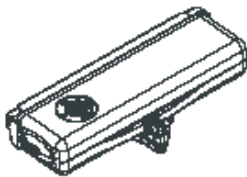
THERMALLY BROKEN (ELECTRICAL) ROOF VENT



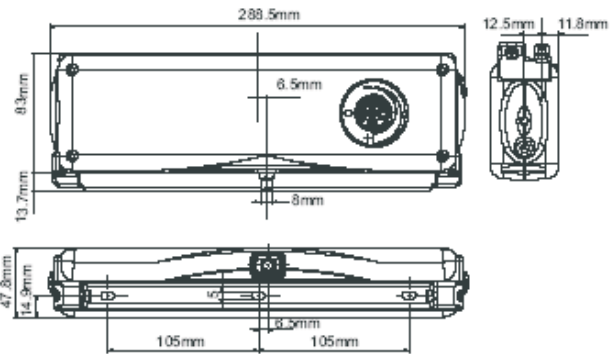
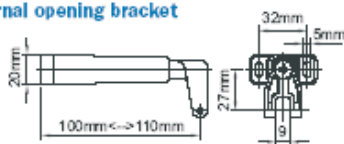
ACK4 Actuator



long bar bracket



internal opening bracket



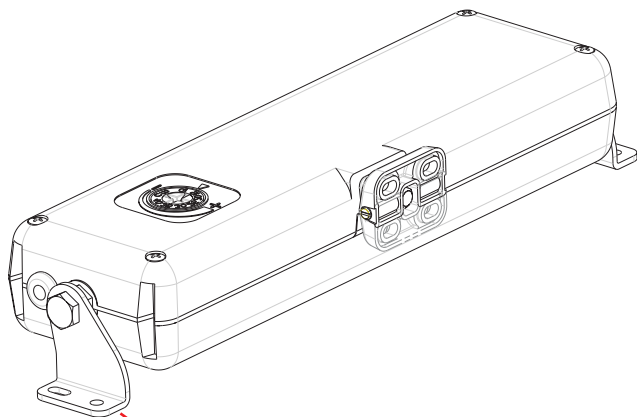
(Manual option also available)

ALL ROOFS ARE MANUFACTURED TO YOUR SPECIFICATION

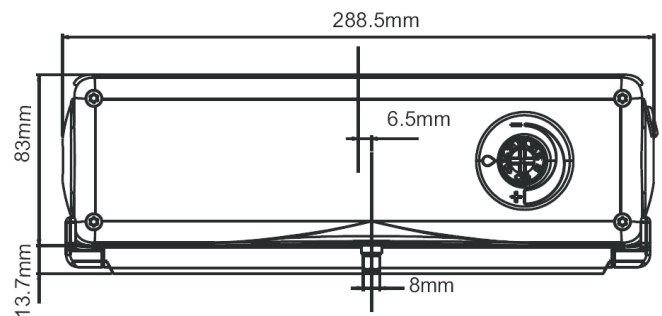
www.howellsglazing.co.uk

Howells Glazing Systems

230v / 24V Electric Chain Motor



Many various brackets to choose from



Technical Specification

| | |
|----------------------------|------------------------|
| Voltage Supply | 230v |
| Thrust Force | 350N |
| Traction Force | 350N |
| Stroke | 100 - 400mm adjustable |
| Absorbed Current | 0.32 amps |
| Time Rating | S2 2mins |
| Limit Stop | electronic |
| Safety Stop | electronic |
| Wiring | 3 core |
| Speed | ~ 28mm/s |
| Double Insulated | yes |
| Protection Class | IP55 |
| Parallel Connection Option | ACK4-USA2/3 |
| Weight | 1.9kg |
| Colours Available | white / black / silver |

Product Summary

- Adjustment of stroke in 7 positions from 100 to 400mm
- Central exit of double link chain.
- Double insulated electrics
- Simple swivel back planes, fast and suitable for windows of any type and size (not included in the packaging).
- Buzzer to indicate wrong installation.
- High protection degree IP 55.
- Collection and synchronisation possibility for 2 or 3 actuators on the same window (USA2 or USA3 control unit).
- Available in black, silver and white.